

MCQV / MCQV2 series

ISO-VDMA STANDARD CYLINDER

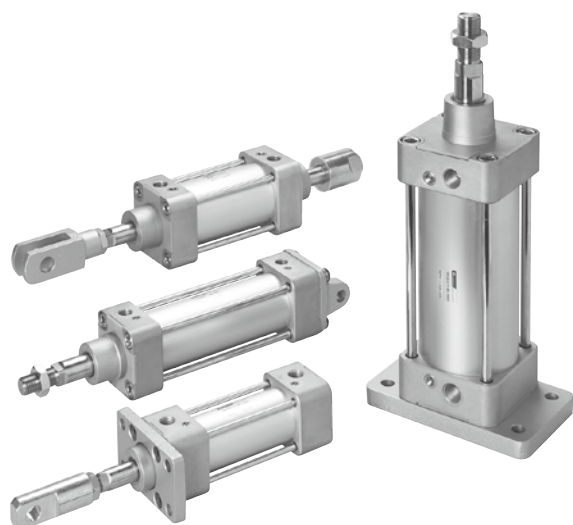


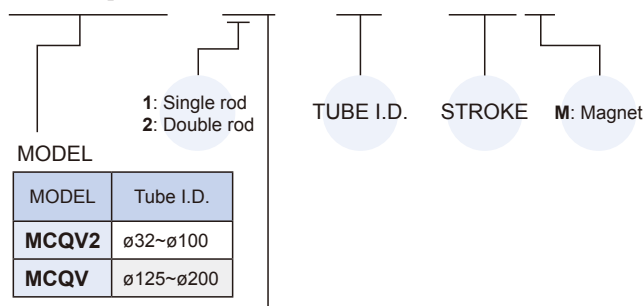
Table for standard stroke

Tube I.D.	Stroke (mm)
ø32,40	50,75,100,125,150,175,200,250,300,350,400,450,500
ø50,63	↑ 600
ø80,100,125,160	↑ 600,700
ø200	↑ 600,700,800,900,1000,1500

- Stroke out of specification is also available.
- Please consult us if stroke out of specification.

Order example

MCQV2 – 11 – 40 – 100M



MODEL	Tube I.D.
MCQV2	ø32~ø100
MCQV	ø125~ø200

STYLE

Code	Symbol	Description
1 1		Double acting / Male thread
2 1		Double rod / Male thread
2 7		Double rod / Adjustable male thread (*)

- * Please mark "adjustable distance(mm)" at order list.
- * Order example for special specification, refer to page 0-7.
- * Order example for Rc or NPT thread please consult us.

Features

■ Non lubrication

Special housing and bushing enables self lubrication of piston rod.

■ High quality long service life

Hard anodised aluminium cylinder tubes offer a high resistance to corrosion and low internal friction.

■ ISO-VDMA standard specification

Conforms to ISO-6431 and VDMA 24562 specification enabling worldwide interchangeability.

■ Cylinder mountings

Available with comprehensive internationally recognised range of fixed and flexible mountings.

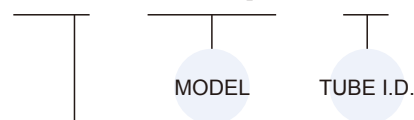
Specification

Model	MCQV2			MCQV		
Tube I.D. (mm)	32,40	50,63	80,100	125	160	200
Medium	Air					
Operating pressure range	0.05~1 MPa					
Proof pressure	1.5 MPa					
Ambient temperature	-5~+60°C (No freezing)					
Available speed range	50~500 mm/sec					
Sensor switch (*)	RCA					
Sensor switch holder	HV1	HV2	HV3	HV4	PM16	HA5V

* RCA specification, please refer to page 8-6.

Mounting accessories

FAC – MCQV – 40



MOUNTING TYPE

	LB
	CA
	CB
	CDB (+CB+PIN)
	FAC
	FBC
	TA
	TB
	TC
	Y
	I
	YS (Y+Floating+PIN)

* for ø32~ø100
CB+PIN have to
extra purchase.

* for ø32~ø100

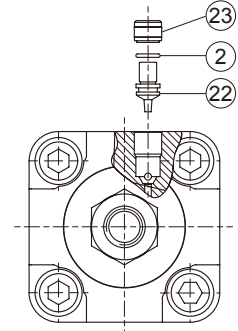
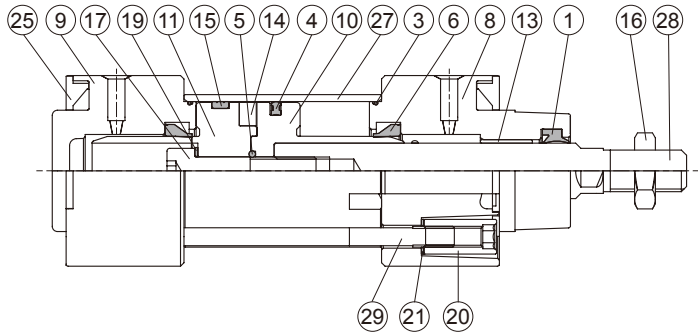
MCQV*-11 Inside structure & Parts list

ISO-VDMA STANDARD CYLINDER

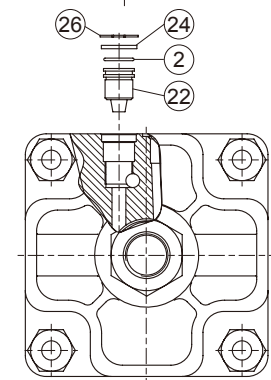
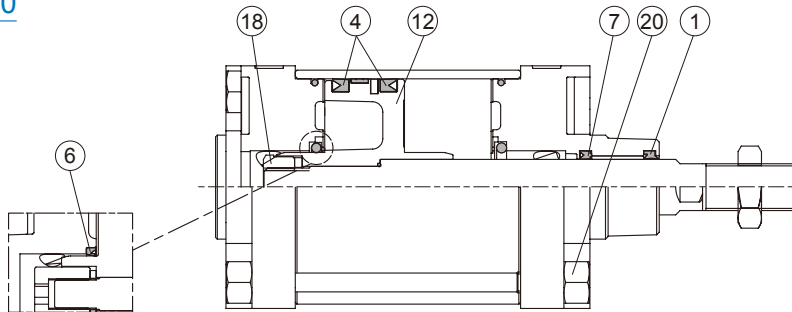


Single rod 11 type

ø32~ø100



ø125~ø200



ø200

No.	Part name	Material	Q'y	Component parts (inclusion)		Repair kits (inclusion)		Note
				ø32~ø100	ø125~ø200	ø32~ø100	ø125~ø200	
1	Rod packing	NBR	1	●	●	●	●	
2	O-ring	NBR	2	●	●		●	
3	O-ring	NBR	2	●	●	●	●	
4	Piston packing	NBR	1 or 2	●	●	●	●	ø125~ø200 (Q'y 2)
5	O-ring	NBR	1	●	●	●	●	
6	Cushion packing	NBR	2	●	●	●	●*	
7	Rod packing	NBR	1		●		●	
8	Rod cover	Aluminum alloy	1	●	●			
9	Head cover	Aluminum alloy	1	●	●			
10	Piston-R	Aluminum alloy	1	●				
11	Piston-H	Aluminum alloy	1	●				
12	Piston	Aluminum alloy	1		●			
13	Bush	Bearing alloy	1	●	●			
14	Magnet ring	Magnet material	1	◎	◎			◎ Option
15	Wear ring	Teflon	1	●	●			
16	Hex nut	Carbon steel	1	●	●			
17	Bolt	Carbon steel	1	●				
18	Piston nut	Carbon steel	1		●			
19	Washer	Carbon steel	1	●	●			ø32 does not contain item #19
20	Tie rod nut	Carbon steel	8	●	●			
21	Tie rod washer	Carbon steel	8	●				
22	Needle valve	Copper alloy	2	●	●			
23	Insert nut	Copper alloy	2	●				
24	Needle valve washer	Carbon steel	2		●			
25	Cover plate	Plastic	2	●				
26	Snap ring	Carbon steel	2		●			
27	Cylinder tube	Aluminum alloy	1					
28	Piston rod	Carbon steel	1					
29	Tie rod	Carbon steel	4					

* Cushion packing is not included in ø200 repair kits.

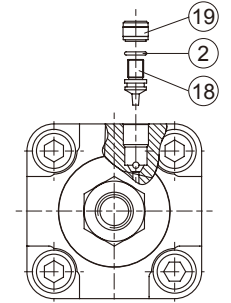
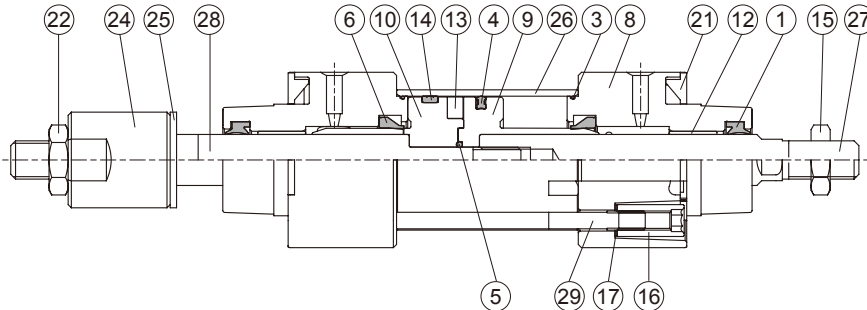
MCQV*-2* Inside structure & Parts list

ISO-VDMA STANDARD CYLINDER

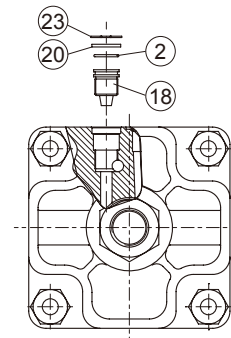
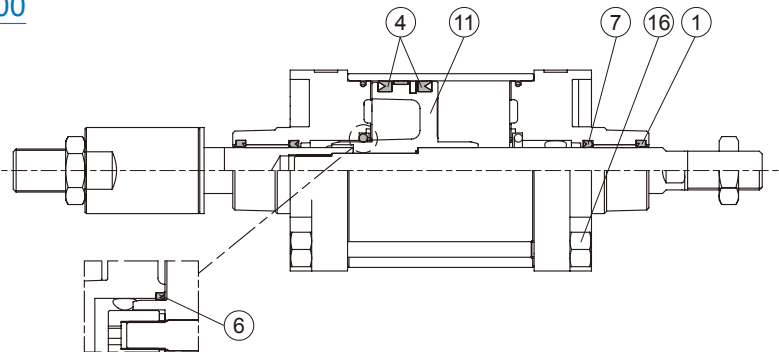


Double rod 21 / 27 type

ø32~ø100



ø125~ø200



ø200

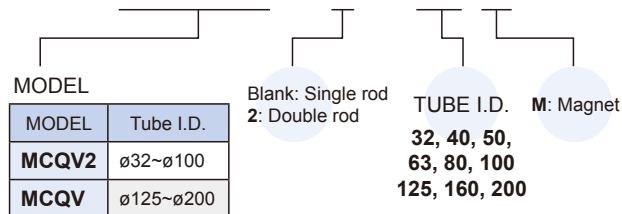
No.	21 type		27 type		Part name	Material	Q'y	Component parts (inclusion)		Repair kits (inclusion)		Note
	A	B	A	B				ø40~ø100	ø125~ø200	ø40~ø100	ø125~ø200	
1	●	●	●	●	Rod packing	NBR	2	●	●	●	●	
2	●	●	●	●	O-ring	NBR	2	●	●		●	
3	●	●	●	●	O-ring	NBR	2	●	●	●	●	
4	●	●	●	●	Piston packing	NBR	1 or 2	●	●	●	●	ø125~ø200 (Q'y 2)
5	●	●	●	●	O-ring	NBR	1	●	●	●	●	
6	●	●	●	●	Cushion packing	NBR	2	●	●	●	●*	
7		●		●	Rod packing	NBR	2		●		●	
8	●	●	●	●	Rod cover	Aluminum alloy	2	●	●			
9	●		●		Piston-R	Aluminum alloy	1	●				
10	●		●		Piston-H	Aluminum alloy	1	●				
11		●		●	Piston	Aluminum alloy	1		●			
12	●	●	●	●	Bush	Bearing alloy	2	●	●			
13	◎	◎	◎	◎	Magnet ring	Magnet material	1	◎	◎			◎ Option
14	●	●	●	●	Wear ring	Teflon	1	●	●			
15	●	●	●	●	Screw	Carbon steel	1	●	●			
16	●	●	●	●	Tie rod nut	Carbon steel	8	●	●			
17	●		●		Tie rod washer	Carbon steel	8	●				
18	●	●	●	●	Needle valve	Copper alloy	2	●	●			
19	●		●		Insert nut	Copper alloy	2	●				
20		●		●	Needle valve washer	Carbon steel	2		●			
21	●		●		Cover plate	Plastic	2	●				
22	●	●	●	●	Hex nut	Carbon steel	1	●	●			
23		●		●	Snap ring	Carbon steel	2		●			
24			●	●	Adjustable nut	Carbon steel	1					
25			●	●	Gasket	PU	1					
26	●	●	●	●	Cylinder tube	Aluminum alloy	1					
27	●	●	●	●	Piston rod #1	Carbon steel	1					
28	●	●	●	●	Piston rod #2	Carbon steel	1					
29	●	●	●	●	Tie rod	Carbon steel	4					

A: ø40~ø100, B: ø125~ø200 * Cushion packing is not included in ø200 repair kits.

ISO-VDMA STANDARD CYLINDER

Order example of component parts

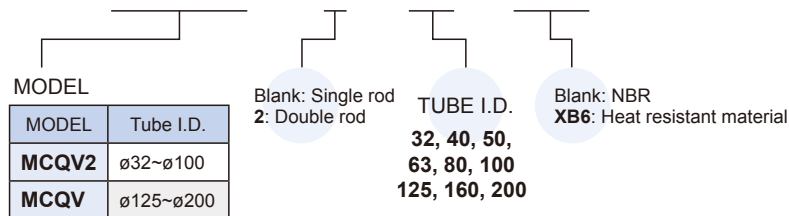
CP – MCQV2 – 2 – 40 M



* Order example for Rc or NPT thread please consult us.

Order example of repair kits



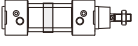
PS – MCQV2 – 2 – 40 – XB6




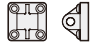


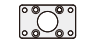






Cylinder & accessories weight

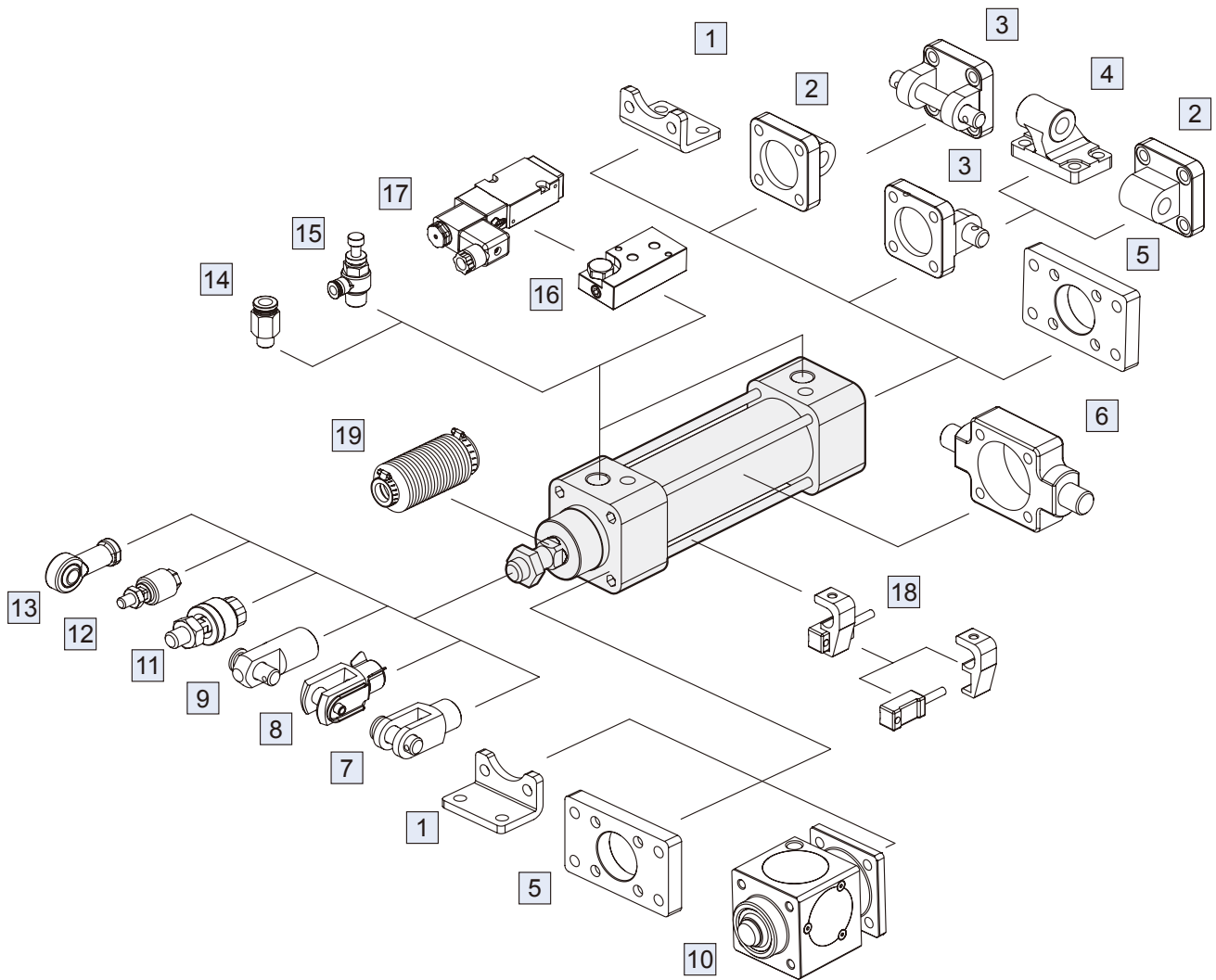
Cylinder weight

Unit: kg

Model	Basic weight MCQV-11	Basic weight (magnet) MCQV-11	Stroke 25 mm MCQV-11
Tube I.D.			
$\varnothing 32$	0.520	0.526	0.053
$\varnothing 40$	0.770	0.782	0.075
$\varnothing 50$	1.200	1.217	0.115
$\varnothing 63$	1.700	1.720	0.130
$\varnothing 80$	2.770	2.797	0.210
$\varnothing 100$	3.960	3.995	0.220
$\varnothing 125$	7.345	7.388	0.372
$\varnothing 160$	–	–	–
$\varnothing 200$	–	–	–

Accessories weight

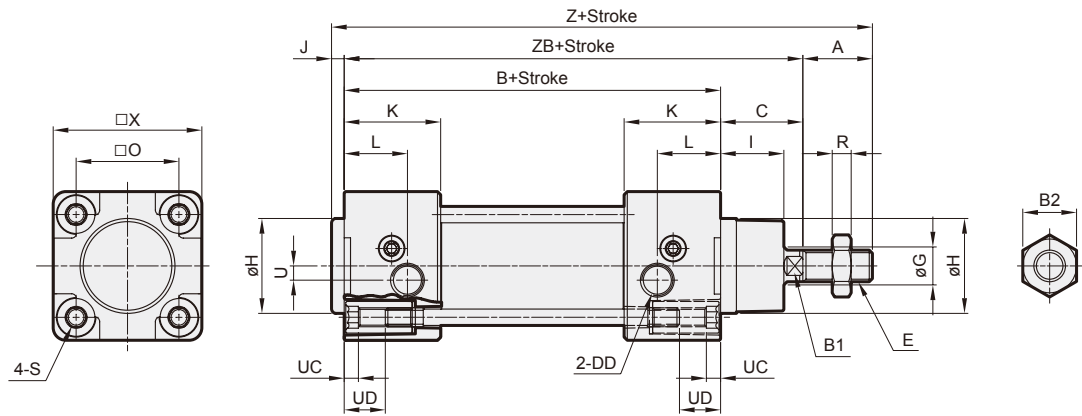
Model	LB	CA	CB	CDB	FAC/FBC	TA/TB/TC	Y	I	Pin		YS
									Y&I	CA&CB	
Tube I.D.											
$\varnothing 32$	0.163	0.213	0.185	0.170	0.235	0.208	0.067	0.082	–	–	–
$\varnothing 40$	0.211	0.253	0.211	0.230	0.265	0.282	0.115	0.141	–	–	–
$\varnothing 50$	0.315	0.390	0.352	0.410	0.460	0.377	0.272	0.334	–	–	–
$\varnothing 63$	0.395	0.670	0.544	0.550	0.684	0.675	0.272	0.334	–	–	–
$\varnothing 80$	0.816	1.076	0.982	0.870	1.508	1.025	0.551	0.553	–	–	–
$\varnothing 100$	1.014	1.587	1.493	1.400	1.975	1.680	0.551	0.553	–	–	–
$\varnothing 125$	2.500	3.780	3.560	–	4.020	2.750	1.160	1.400	–	–	–
$\varnothing 160$	4.600	7.400	7.140	–	7.170	5.130	3.120	1.900	–	–	–
$\varnothing 200$	–	–	–	–	–	–	–	–	–	–	–



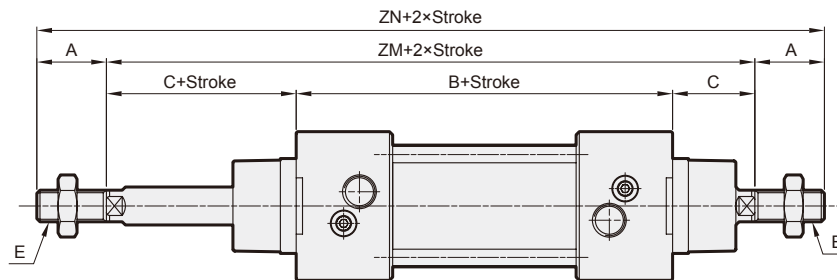
No.	Accessories	Page
1	Mounting accessories LB	1-36, 42
2	Mounting accessories CA	1-38, 43
3	Mounting accessories CB+PIN	1-38, 43, 46, 47
4	Mounting accessories CDB	1-39
5	Mounting accessories FAC / FBC	1-37, 42
6	Mounting accessories TA / TB / TC	1-39, 40, 44, 45
7	Accessories Y+PIN	1-46, 47
8	Accessories YS (Y+Floating pin)	1-46
9	Accessories I+PIN	1-46, 47
10	Locking unit MCBQV*	1-65

No.	Accessories	Page
11	Floating joint MFC	8-2
12	Floating joint MFCS	8-4
13	Female rod ends PHS	8-5
14	Fitting PC (PISCO)	8-5 (Vol.1)
15	Speed controller JSC (PISCO)	8-18 (Vol.1)
16	Cylinder link seats MVSN-300-C	1-66 (Vol.1)
17	Solenoid valve MVSN-220 / 300	1-62, 64 (Vol.1)
18	Sensor switch RCA+HV*	8-6
19	Protective bellows kit	—

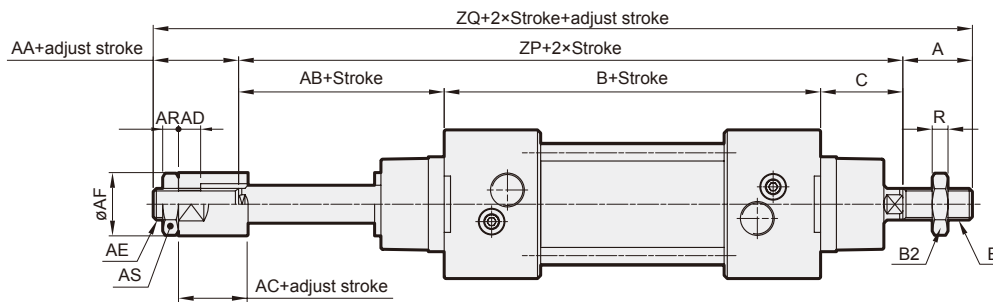
11



21

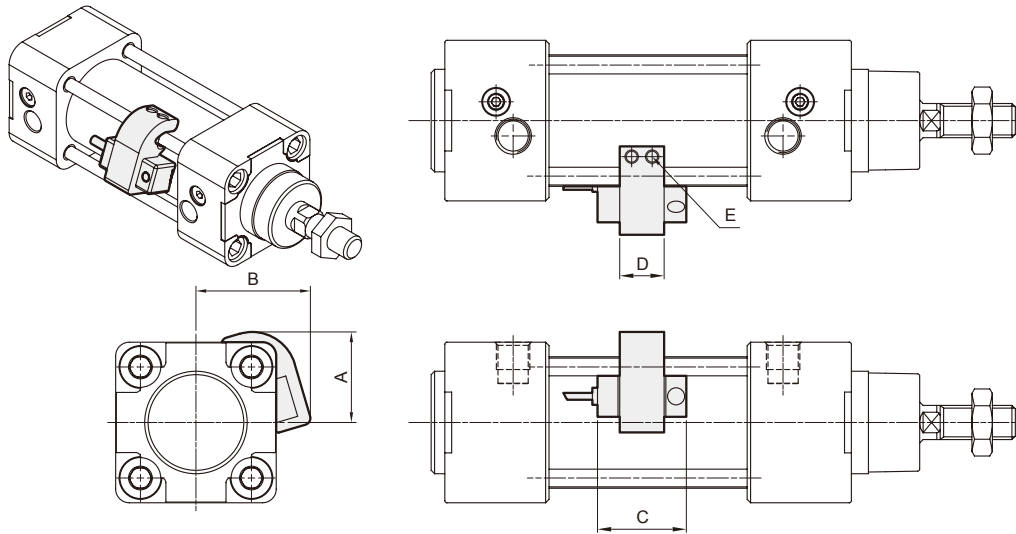


27



Code Tube I.D.	A	AA	AB	AC	AD	AE	AF	AR	AS	B	B1	B2	C	DD	E	G	H	I	J	K	L	O	R
32	22	16	26	12	7	M10×1.25	20	5	17	94	10	17	26	G1/8	M10×1.25	12	30	20	4	30.5	20	32.5	5
40	24	20	27	12	7	M12×1.25	30	6	19	105	13	19	30	G1/4	M12×1.25	16	35	20.5	4	34	14.5	38	6
50	32	18	34	15	10	M16×1.5	40	8	24	106	16	24	37	G1/4	M16×1.5	20	40	28	4	31	16	46.5	8
63	32	20	32	15	10	M16×1.5	40	8	24	121	16	24	37	G3/8	M16×1.5	20	45	26	4	33	16	56.5	8
80	40	32	41	20	14	M22×1.5	50	13	32	128	21	30	46	G3/8	M20×1.5	25	45	32.5	4	35.5	20.5	72	10
100	40	30	46	20	14	M22×1.5	50	13	32	138	21	30	51	G1/2	M20×1.5	25	55	37.5	4	37	19	89	10

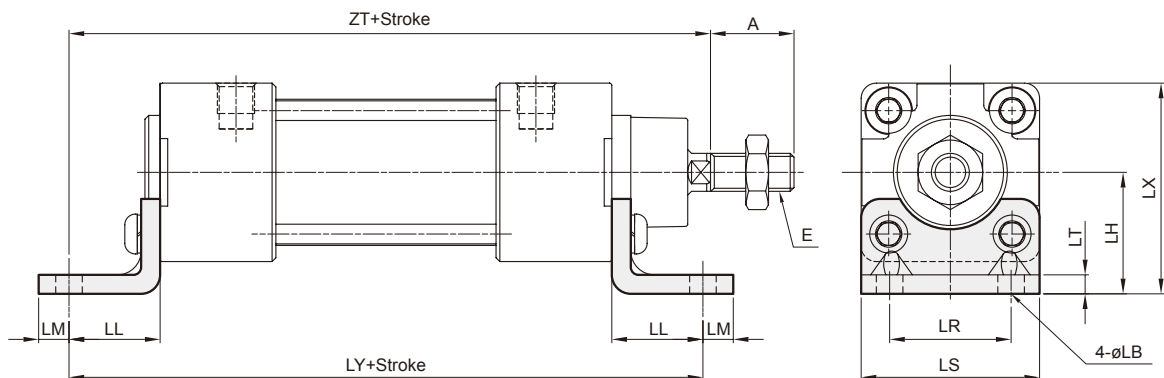
Code Tube I.D.	S	U	UC	UD	X	Z	ZB	ZM	ZN	ZP	ZQ
32	M6×1.0	4.5	4.5	12	47	146	120	146	190	146	184
40	M6×1.0	5.3	4.5	12	55	163	135	165	213	162	206
50	M8×1.25	8.5	4.5	16	65	179	143	180	244	177	227
63	M8×1.25	8	4.5	16	78	194	158	195	259	190	242
80	M10×1.5	9	4.5	18	95	218	174	220	300	215	287
100	M10×1.5	13	4.5	18	115	233	189	240	320	235	305



Code Tube I.D.	Sensor switch	Hold	A	B	C	D	E
MCQV2-32	RCA	HV1	26.5	33.5	26	13	M4×10L
MCQV2-40	RCA	HV1	29.5	36.5	26	13	M4×10L
MCQV2-50	RCA	HV2	37.5	41.5	26	13	M4×10L
MCQV2-63	RCA	HV2	42.5	46.5	26	13	M4×10L
MCQV2-80	RCA	HV3	49.5	54.5	26	13	M5×16L
MCQV2-100	RCA	HV3	57.5	62.5	26	13	M5×16L
MCQV-125	RCA	HV4	—	—	26	13	M4×10L
MCQV-160	RCA	PM16	—	—	26	12	M4×10L
MCQV-200	RCA	HA5V	—	—	26	15	M4×16L

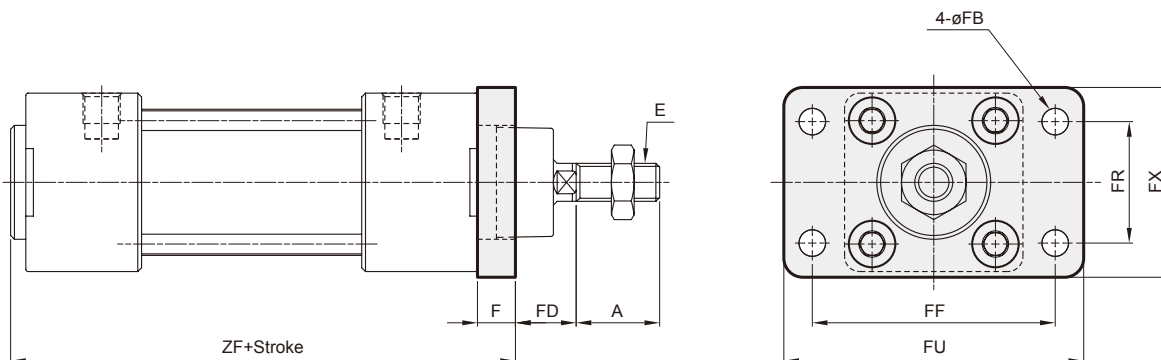
■ Mounting accessories

LB



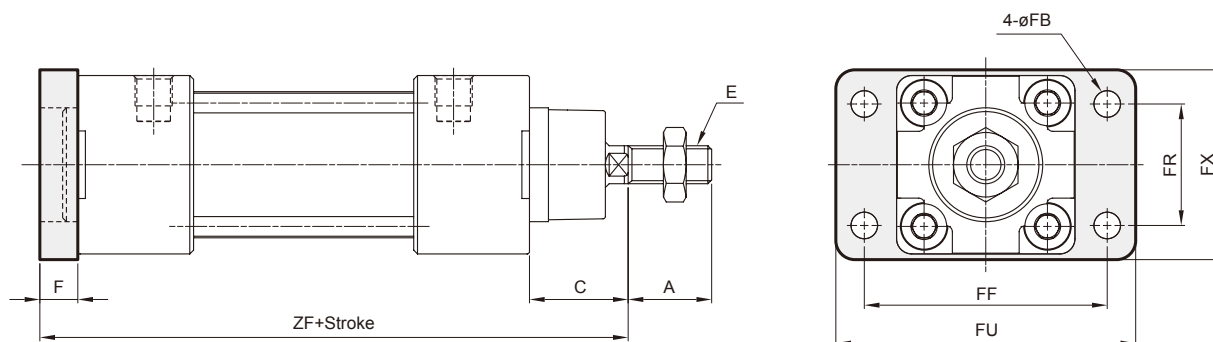
Code Tube I.D.	A	E	LB	LH	LL	LM	LR	LS	LT	LX	LY	ZT
32	22	M10×1.25	7	32	24	8	32	47	5	55.5	142	144
40	24	M12×1.25	9	36	28	10	36	53	5	63.2	161	163
50	32	M16×1.5	9	45	32	10	45	65	5	77.5	170	175
63	32	M16×1.5	9	50	32	10	50	75	5	89.0	185	190
80	40	M20×1.5	12	63	41	13	63	95	6	110.5	210	215
100	40	M20×1.5	14	71	41	13	75	115	6	128.5	220	230

FAC



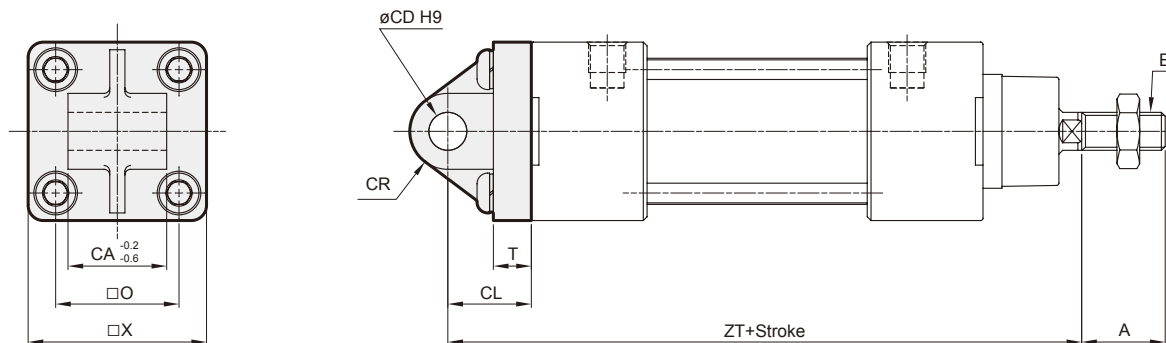
Code Tube I.D.	A	E	F	FB	FD	FF	FR	FU	FX	ZF
32	22	M10×1.25	10	7	16	64	32	79	50	108
40	24	M12×1.25	10	9	20	72	36	90	52	119
50	32	M16×1.5	12	9	25	90	45	110	65	122
63	32	M16×1.5	12	9	25	100	50	125	76	137
80	40	M20×1.5	16	12	30	126	63	154	94	148
100	40	M20×1.5	16	14	35	150	75	180	112	158

FBC



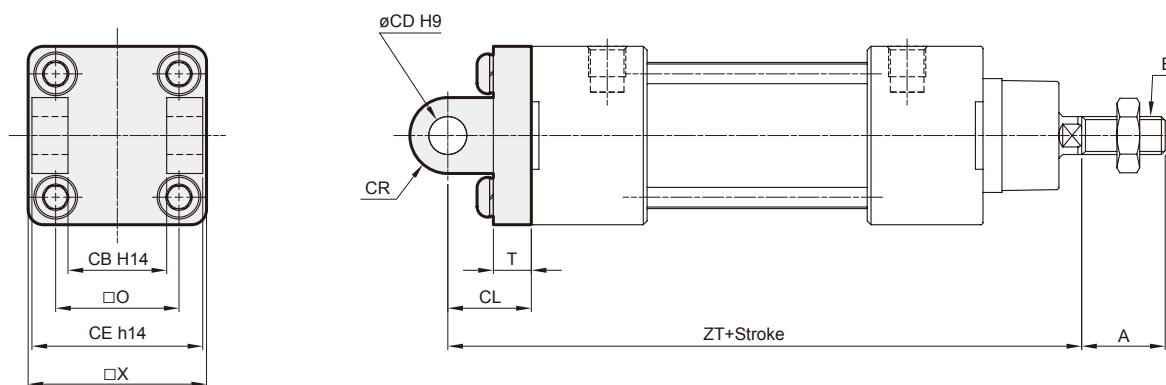
Code Tube I.D.	A	C	E	F	FB	FF	FR	FU	FX	ZF
32	22	26	M10×1.25	10	7	64	32	79	50	130
40	24	30	M12×1.25	10	9	72	36	90	52	145
50	32	37	M16×1.5	12	9	90	45	110	65	155
63	32	37	M16×1.5	12	9	100	50	125	76	170
80	40	46	M20×1.5	16	12	126	63	154	94	190
100	40	51	M20×1.5	16	14	150	75	180	112	205

CA



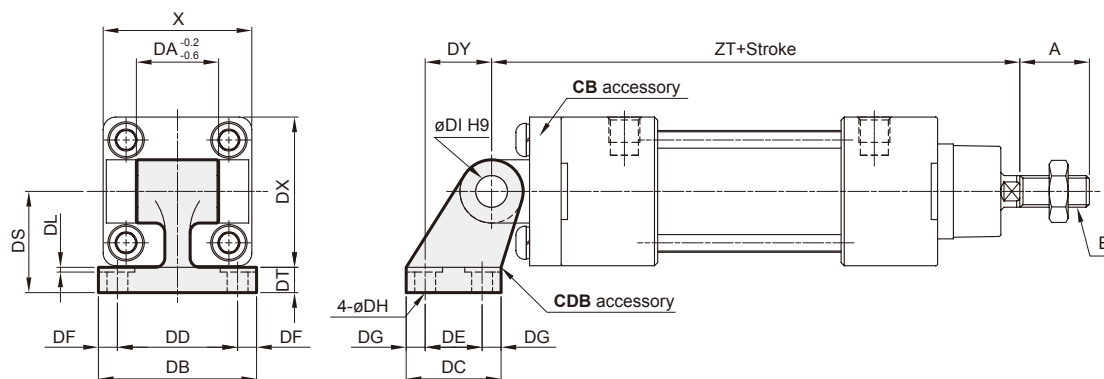
Code Tube I.D.	A	CA	CD	CL	CR	E	O	T	X	ZT
32	22	26	10	22	R10.5	M10×1.25	32.5	10	46	142
40	24	28	12	25	R12	M12×1.25	38	9	52	160
50	32	32	12	27	R13	M16×1.5	46.5	9	63.5	170
63	32	40	16	32	R17	M16×1.5	56.5	9	75	190
80	40	50	16	36	R17	M20×1.5	72	12	93	210
100	40	60	20	41	R21	M20×1.5	89	11	112	230

CB



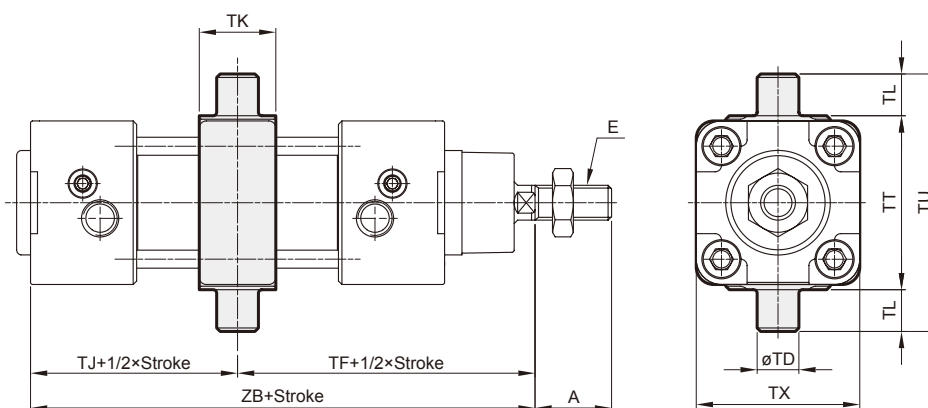
Code Tube I.D.	A	CB	CD	CE	CL	CR	E	O	T	X	ZT
32	22	26	10	45	22	R10.5	M10×1.25	32.5	10	46	142
40	24	28	12	52	25	R12	M12×1.25	38	9	52	160
50	32	32	12	60	27	R14	M16×1.5	46.5	9	63.5	170
63	32	40	16	70	32	R17	M16×1.5	56.5	9	75	190
80	40	50	16	90	36	R17	M20×1.5	72	12	93	210
100	40	60	20	110	41	R21	M20×1.5	89	11	112	230

CDB CB+Pin (Extra purchase)



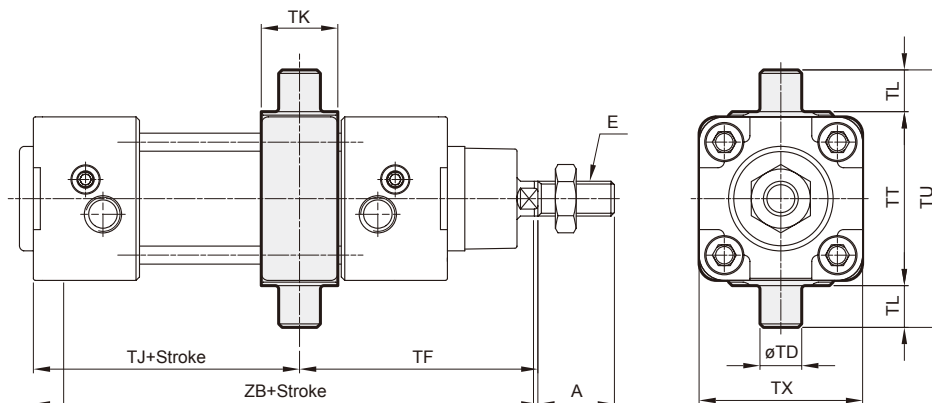
Code Tube I.D.	A	DA	DB	DC	DD	DE	DF	DG	DH	DI	DL	DS	DT	DX	DY	E	X	ZT
32	22	26	50	30	38	18	6	6	6.6	10	1.5	32	8	47.5	21	M10×1.25	47	142
40	24	28	53	34	41	22	6	6	6.6	12	1.5	36	10	52.5	24	M12×1.25	55	160
50	32	32	65	45	50	30	7.5	7.5	9	12	1.5	45	12	65.5	33	M16×1.5	65	170
63	32	40	67	50	52	35	7.5	7.5	9	16	1.5	50	12	75.5	37	M16×1.5	78	190
80	40	50	86	60	66	40	10	10	11	16	2.5	63	14	96.5	47	M20×1.5	95	210
100	40	60	96	70	76	50	10	10	11	20	2.5	71	15	113.5	55	M20×1.5	115	230

TC



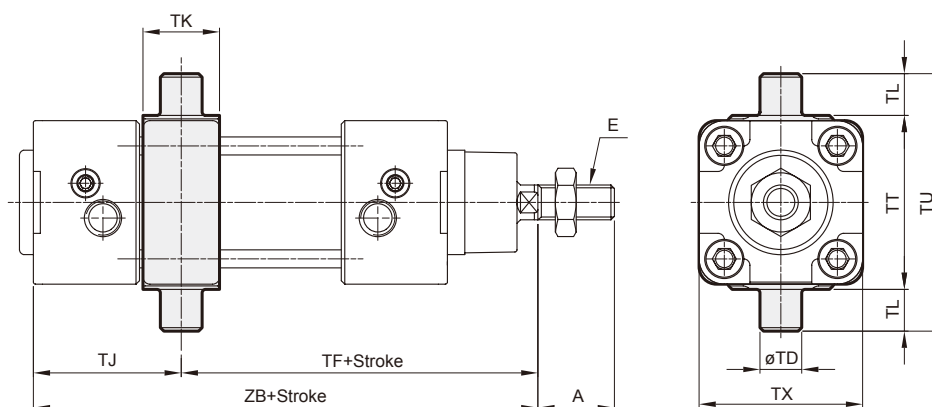
Code Tube I.D.	A	E	TD	TF	TJ	TK	TL	TT	TU	TX	ZB
32	22	M10×1.25	12e8	73	47	22	12	50	74	47	120
40	24	M12×1.25	16e8	82.5	52.5	22	16	63	95	53	135
50	32	M16×1.5	16e8	90	53	22	16	75	107	66	143
63	32	M16×1.5	20e8	97.5	60.5	28	20	90	130	80	158
80	40	M20×1.5	20e8	110	64	34	20	110	150	106	174
100	40	M20×1.5	25e8	120	69	40	25	132	182	126	189

TA



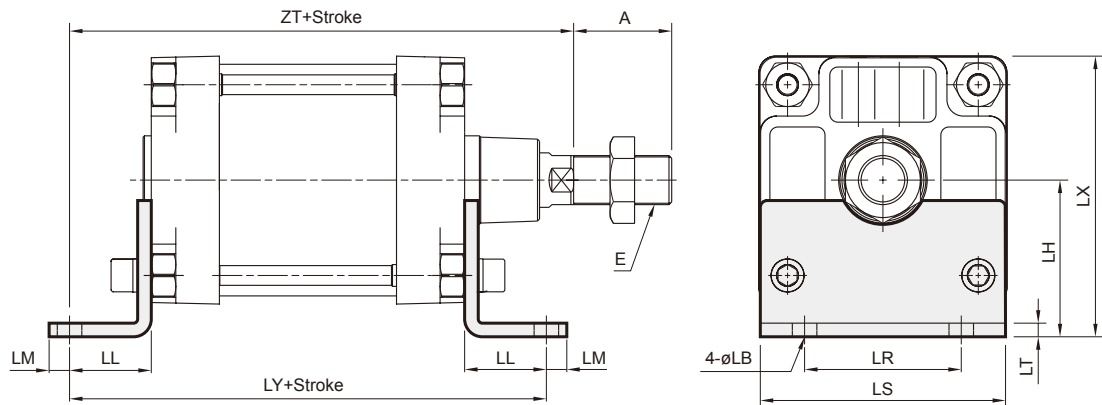
Code Tube I.D.	A	E	TD	TF	Without magnet		Magnet		TK	TL	TT	TU	TX
					TJ	ZB	TJ	ZB					
32	22	M10×1.25	12e8	68.5	51.5	120	81.5	150	22	12	50	74	47
40	24	M12×1.25	16e8	76	59	135	89	165	22	16	63	95	53
50	32	M16×1.5	16e8	80	63	143	93	173	22	16	75	107	66
63	32	M16×1.5	20e8	85	73	158	103	188	28	20	90	130	80
80	40	M20×1.5	20e8	99.5	74.5	174	114.5	214	34	20	110	150	106
100	40	M20×1.5	25e8	109	80	189	120	229	40	25	132	182	126

TB



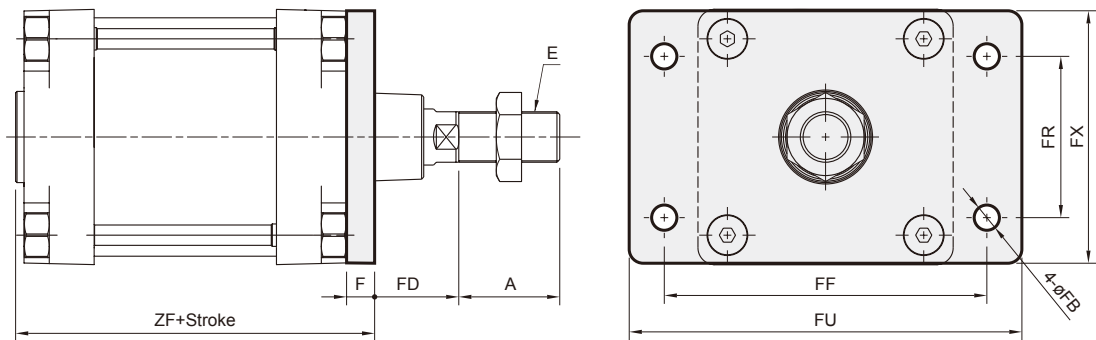
Code Tube I.D.	A	E	TD	Without magnet		Magnet		TJ	TK	TL	TT	TU	TX
				TF	ZB	TF	ZB						
32	22	M10×1.25	12e8	77.5	120	107.5	150	42.5	22	12	50	74	47
40	24	M12×1.25	16e8	89	135	119	165	46	22	16	63	95	53
50	32	M16×1.5	16e8	100	143	130	173	43	22	16	75	107	66
63	32	M16×1.5	20e8	110	158	140	188	48	28	20	90	130	80
80	40	M20×1.5	20e8	120.5	174	160.5	214	53.5	34	20	110	150	106
100	40	M20×1.5	25e8	131	189	171	229	58	40	25	132	182	126

LB



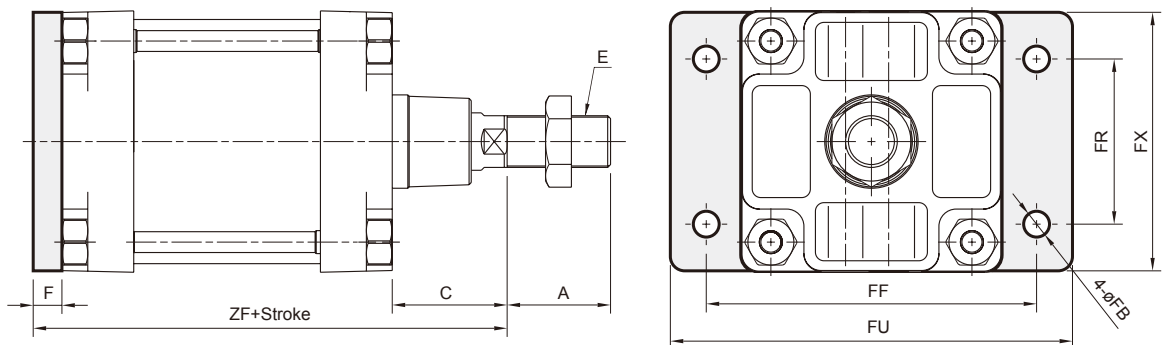
Code Tube I.D.	A	E	LB	LH	LL	LM	LR	LS	LT	LX	LY	ZT
125	54	M27×2.0	16	90	45	25	90	140	9	160	250	270
160	72	M36×2.0	18	115	60	15	115	180	10	206	300	320
200	72	M36×2.0	24	135	70	35	135	220	12	245	320	345

FAC



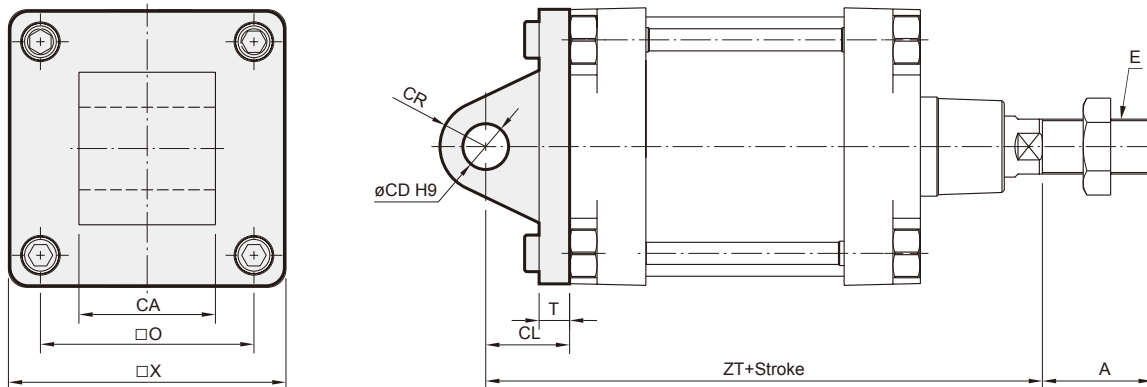
Code Tube I.D.	A	E	F	FB	FD	FF	FR	FU	FX	ZF
125	54	M27×2.0	20	16	45	180	90	210	140	186
160	72	M36×2.0	20	18	60	230	115	280	180	206
200	72	M36×2.0	25	22	70	270	135	320	220	211

FBC



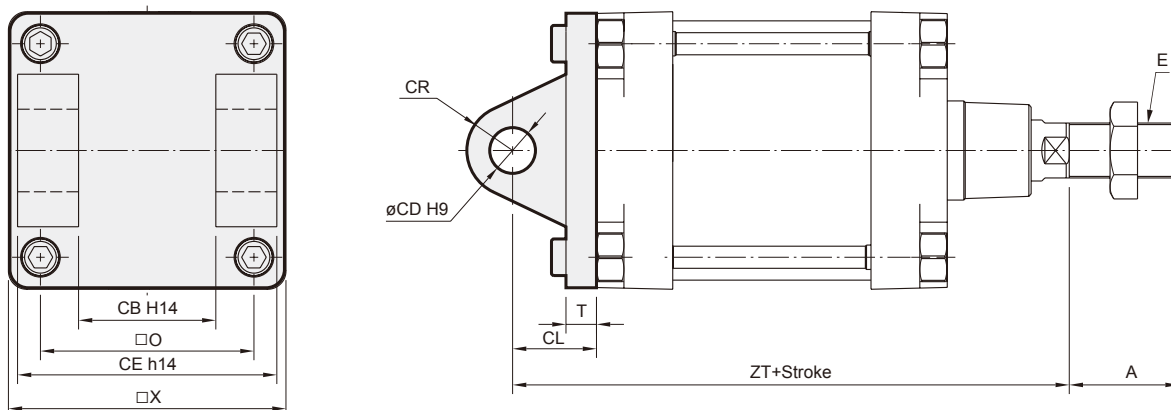
Code Tube I.D.	A	C	E	F	FB	FF	FR	FU	FX	ZF
125	54	65	M27×2.0	20	16	180	90	210	140	245
160	72	80	M36×2.0	20	18	230	115	280	180	280
200	72	95	M36×2.0	25	22	270	135	320	220	300

CA



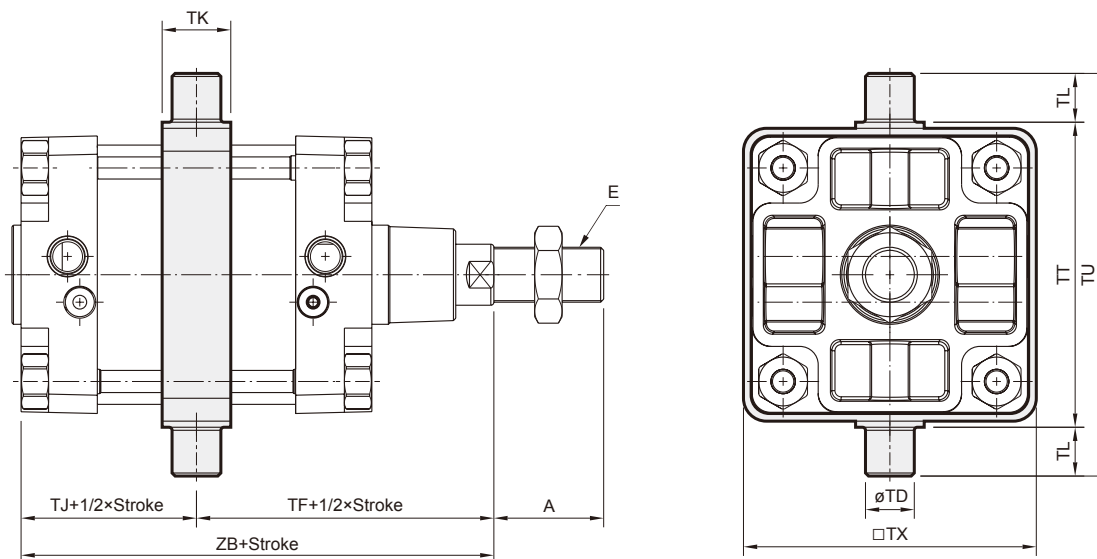
Code Tube I.D.	A	CA	CD	CL	CR	E	O	T	X	ZT
125	54	69.5 ⁰ _{-0.7}	25	50	R25	M27×2.0	110	20	139	275
160	72	89.5 ⁰ _{-0.7}	30	55	R30	M36×2.0	140	20	178	315
200	72	90 ^{-0.5} _{-1.2}	30	60	R30	M36×2.0	175	21	218	335

CB



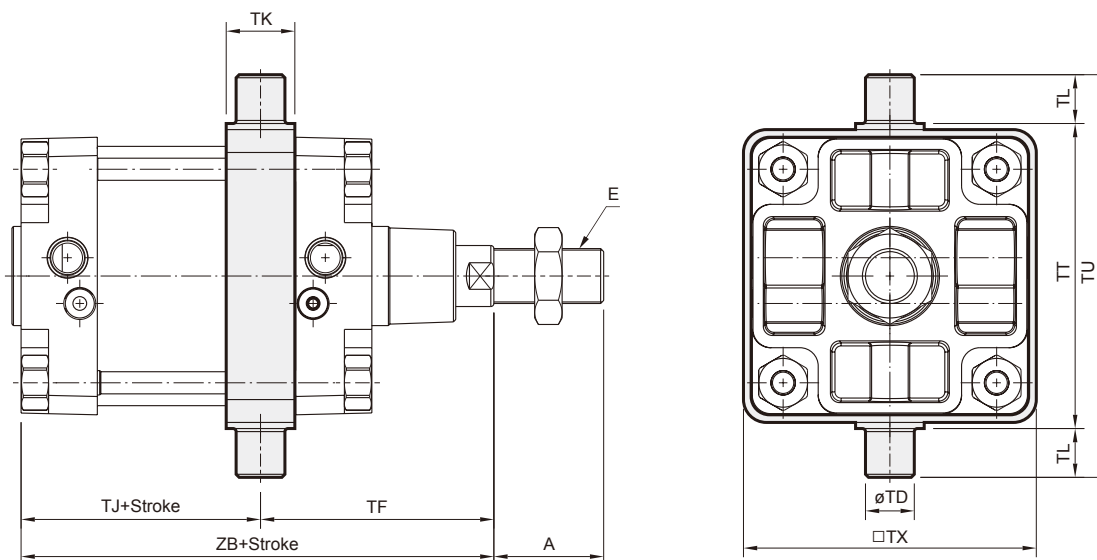
Code Tube I.D.	A	CB	CD	CE	CL	CR	E	O	T	X	ZT
125	54	70	25	130	50	R25	M27×2.0	110	20	139	275
160	72	90	30	170	55	R30	M36×2.0	140	20	178	315
200	72	90	30	170	60	R30	M36×2.0	175	21	218	335

TC



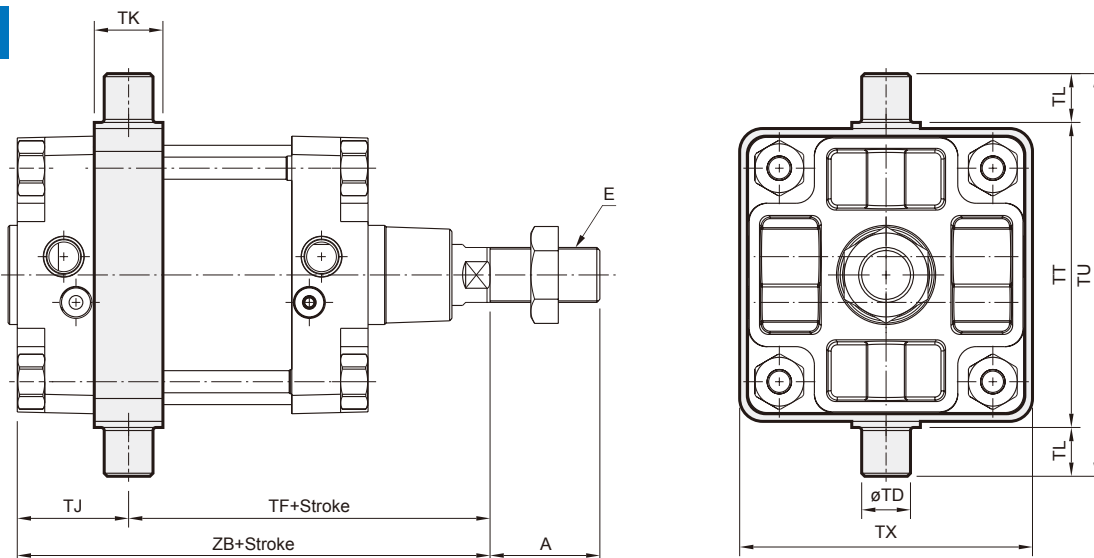
Code Tube I.D.	A	E	TD	TF	TJ	TK	TL	TT	TU	TX	ZB
125	54	M27×2.0	25e9	145	80	40	25	160	210	155	225
160	72	M36×2.0	32e9	170	90	45	32	200	264	192	260
200	72	M36×2.0	32e9	185	90	45	32	250	314	240	275

TA



Code Tube I.D.	A	E	TD	TF	Without magnet		Magnet		TK	TL	TT	TX	TU
					TJ	ZB	TJ	ZB					
125	54	M27×2.0	25e9	125	100	225	146	271	40	25	160	155	210
160	72	M36×2.0	32e9	152.5	107.5	260	157.5	310	45	32	200	192	264
200	72	M36×2.0	32e9	173.5	101.5	275	145.5	319	45	32	250	240	275

TB

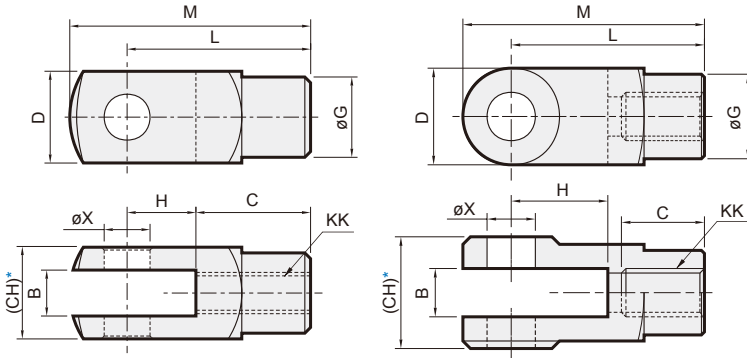


Code Tube I.D.	A	E	TD	TJ	Without magnet		Magnet		TK	TL	TT	TX	TU
					TF	ZB	TF	ZB					
125	54	M27×2.0	25e9	60	165	225	211	271	40	25	160	155	210
160	72	M36×2.0	32e9	72.5	187.5	260	237.5	310	45	32	200	192	264
200	72	M36×2.0	32e9	78.5	196.5	275	240.5	319	45	32	250	240	275

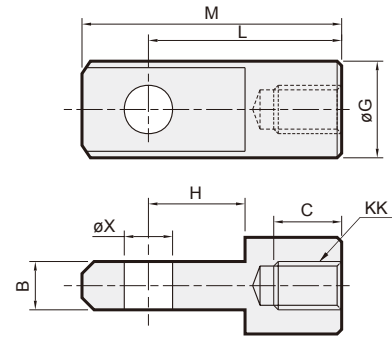
Y connector

$\phi 32 \sim \phi 40$

$\phi 50 \sim \phi 100$



I connector



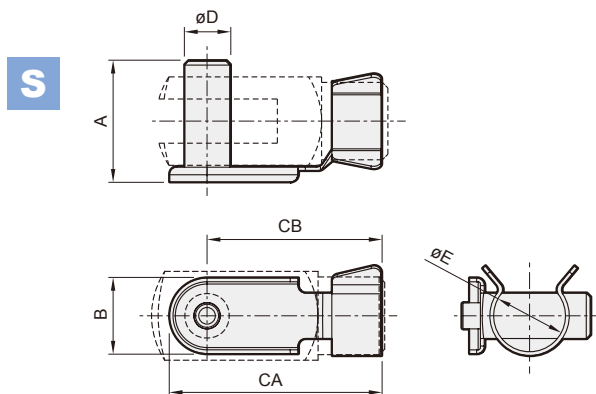
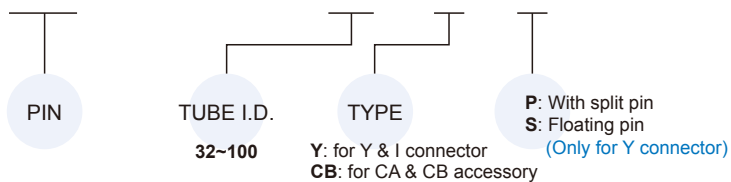
* Please do not take the sand casting plate as the mounting plate, because we do not machine it.
If you have this special demand, please contact our sales representative.

Code Tube I.D.	B		C		CH		D		G		H		KK		L		M		X ^{H9}
	Y	I	Y	I	Y	I	Y	I	Y	I	Y	I	Y	I	Y	I	Y	I	
32	10 ^{+0.5} _{+0.15}	10 ^{-0.1} _{-0.2}	20	17	19	—	19	—	$\phi 18$	$\phi 20$	20	15	M10×1.25	40	40	52	52	$\phi 10$	$\phi 10$ ^{+0.04} ₀
40	12 ^{+0.5} _{+0.15}	12 ^{-0.1} _{-0.2}	24	21	22	—	22	—	$\phi 20$	$\phi 24$	24	18	M12×1.25	48	48	62	62	$\phi 12$	$\phi 12$ ^{+0.04} ₀
50	16 ^{+0.3} _{+0.1}	16 ^{-0.1} _{-0.3}	28	23	32	—	32	—	$\phi 28$	$\phi 32$	32	32	M16×1.5	64	64	89	86	$\phi 16$	$\phi 16$ ^{+0.04} ₀
63	16 ^{+0.3} _{+0.1}	16 ^{-0.1} _{-0.3}	28	23	32	—	32	—	$\phi 28$	$\phi 32$	32	32	M16×1.5	64	64	89	86	$\phi 16$	$\phi 16$ ^{+0.04} ₀
80	20 ^{+0.3} _{+0.1}	20 ^{-0.1} _{-0.3}	33	30	45	—	40	—	$\phi 36$	$\phi 36$	40	40	M20×1.5	80	80	100	108	$\phi 20$	$\phi 20$ ^{+0.05} ₀
100	20 ^{+0.3} _{+0.1}	20 ^{-0.1} _{-0.3}	33	30	45	—	40	—	$\phi 36$	$\phi 36$	40	40	M20×1.5	80	80	100	108	$\phi 20$	$\phi 20$ ^{+0.05} ₀

PIN

Order example * MCQV / MCQI are common accessories.

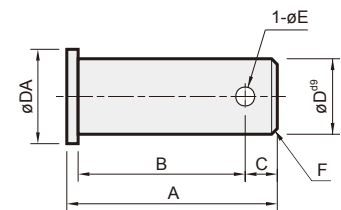
PIN — MCQV — 40 — Y — P



for floating pin

Code Tube I.D.	A	B	CA	CB	D ^{d9}	E
32	26	14	45	38	$\phi 10$ ^{-0.04} _{-0.07}	17
40	31	16	54	46	$\phi 12$ ^{-0.05} _{-0.09}	19
50,63	42	20	70	60	$\phi 16$ ^{-0.05} _{-0.09}	27
80,100	56	30	91	76	$\phi 20$ ^{-0.06} _{-0.11}	35

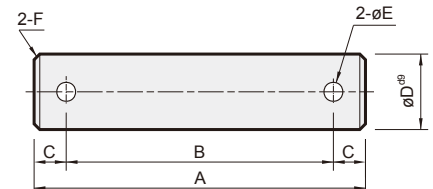
P



for Y & I connector

Code Tube I.D.	A	B	C	D ^{d9}	DA	E	F	Split pin
32	30	25	3.5	$\phi 10$ ^{-0.06} _{-0.09}	14	3.2	1	3.2×20L
40	37	30	5	$\phi 12$ ^{-0.06} _{-0.09}	16	3.2	1	3.2×20L
50,63	47	37	7	$\phi 16$ ^{-0.05} _{-0.09}	22	4	1	4×25L
80,100	62	50	8	$\phi 20$ ^{-0.06} _{-0.11}	30	5	1.5	5×35L

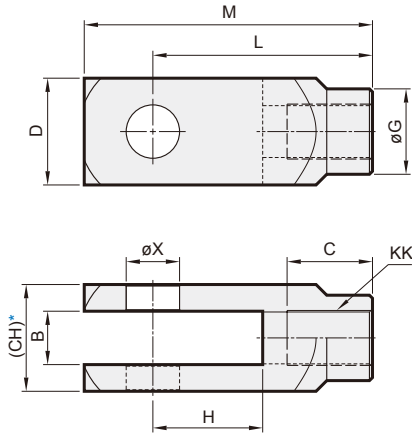
P



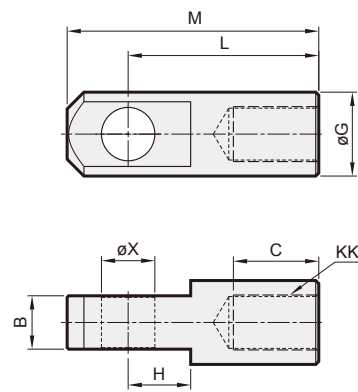
for CA & CB

Code Tube I.D.	A	B	C	D ^{d9}	E	F	Split pin
32	69	55	7	$\phi 10$ ^{-0.05} _{-0.09}	4	1.0	4×20L
40	76	62	7	$\phi 12$ ^{-0.05} _{-0.09}	4	1.0	4×20L
50	84	70	7	$\phi 12$ ^{-0.05} _{-0.09}	4	1.0	4×20L
63	94	80	7	$\phi 16$ ^{-0.05} _{-0.09}	4	1.0	4×30L
80	117	100	8.5	$\phi 16$ ^{-0.05} _{-0.09}	5	1.5	5×30L
100	137	120	8.5	$\phi 20$ ^{-0.05} _{-0.09}	5	1.5	5×35L

Y connector



I connector



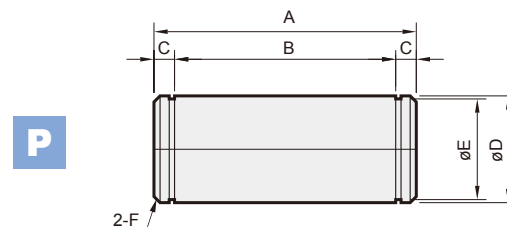
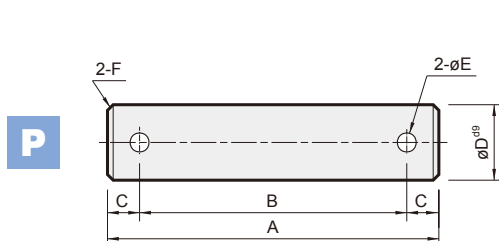
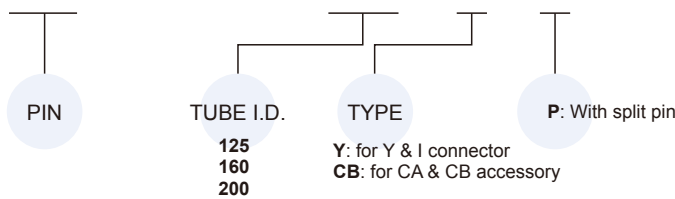
* Please do not take the sand casting plate as the mounting plate, because we do not machine it.
If you have this special demand, please contact our sales representative.

Code	B		C		CH		D		G		H		KK		L		M		X ^{F7}	
	Y	I	Y	I	Y	I	Y	I	Y	I	Y	I	Y	I	Y	I	Y	I	Y	I
125	30 ^{+0.52} ₀	30 ^{-0.2} _{-0.3}	56	51	55	—	55	—	48	55	54	40	M27×2.0	110	110	148	145	30 ^{+0.52} ₊₀	30 ^{+0.04} _{+0.02}	
160	35 ^{+0.62} ₀	35 ^{-0.2} _{-0.3}	56	56	70	—	70	—	56	55	72	41	M36×2.0	144	125	189	165	35 ^{+0.05} _{+0.02}	35 ^{+0.05} _{+0.02}	
200	35 ^{+0.62} ₀	35 ^{-0.2} _{-0.3}	56	56	70	—	70	—	56	55	72	41	M36×2.0	144	125	189	165	35 ^{+0.05} _{+0.02}	35 ^{+0.05} _{+0.02}	

PIN

Order example

PIN — MCQV — 125 — Y — P



for $\phi 125$

Code Type	A	B	C	D ^{d9}	E	F	Split pin
CB	157	140	8.5	$\phi 25$ ^{-0.07} _{-0.12}	5	1.5	5×36L
Y	81	64	8.5	$\phi 30$ ^{-0.07} _{-0.12}	6.3	1.5	6.3×40L

for $\phi 160, \phi 200$

Code Type	A	B	C	D	E	F	Split pin
CB	186	172	7	30 ^{±0.05} _{-0.09}	28.6 ⁰ _{-0.21}	2	STW-30
Y	86	72	7	35 ^{±0.07} _{-0.03}	33 ⁰ _{-0.25}	2	STW-35