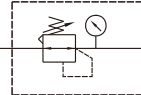


MAR401 series

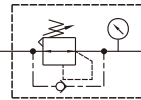
PRESSURE REGULATOR



Option: **MP41**
Symbol



Standard



Backflow

Specification

Model	MAR401		
Bore No.	8A	10A	15A
Port size	1/4	3/8	1/2
Medium	Air		
Max. operating pressure	1.5 MPa		
Proof pressure	2 MPa		
Regulated pressure range	Standard type: 0.1~0.85 MPa		
	High pressure type: 0.1~1.5 MPa		
Ambient temperature	- 5~+60°C (No freezing)		
Attachment	Pressure gauge (PG-20), L-type bracket		
Weight	450 g		

Order example

MAR401 K - 8A - [] - [] - HAP - E1 - []

MODEL

PORT SIZE

8A: 1/4
10A: 3/8
15A: 1/2

EXTERIOR COLOR

Blank: Black& silver
W: Gray& white

EXHAUST MECHANISM

Blank: Relieving type
Q: Non-relieving type

(Option)

PRESSURE SWITCH

E1: MP41P-022
E2: MP41P-022-QD
E5: MP41P-042
E6: MP41P-042-QD

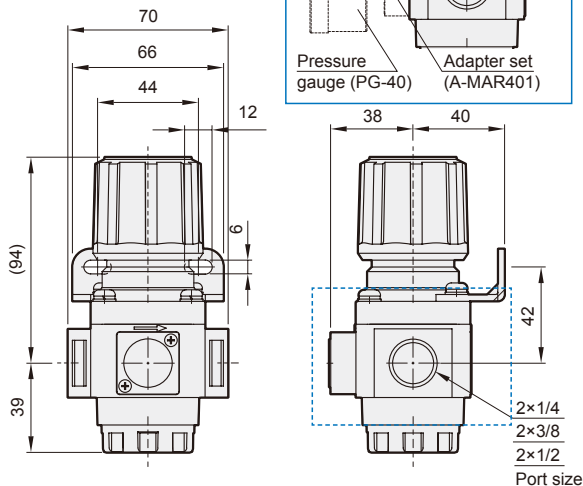
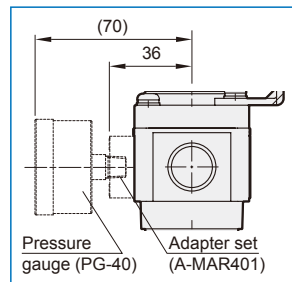
PORT THREAD

Blank: Rc thread
G: G thread
NPT: NPT thread

Blank: Standard
K: Backflow function

- * The backflow module can not be exchange with gauge. When choosing the flow direction is left to right, the knob is up.
- * Standard type regulator can not release the outlet pressure completely, even if inlet pressure was cut off, and the backflow function (K) must be applied to completely remove the residual pressure.
- * The (Q) non-relieving type regulator is used. When the output pressure is higher than the set pressure, the output pressure will not flow out through the exhaust hole.

Accessories



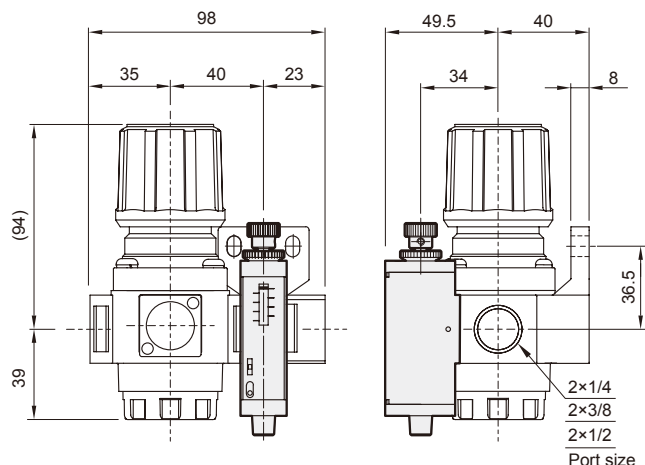
(Option) ACCESSORIES

Type	Pressure gauge	Pressure switch
Blank: Standard type	Blank: Pressure gauge (PG-20)	P: Pressure switch (MPS series)
	C: External pressure gauge (PG-40) + Gauge adapter set (A-MAR401)	
H: High pressure type	A: Gauge adapter set (A-MAR401)	-

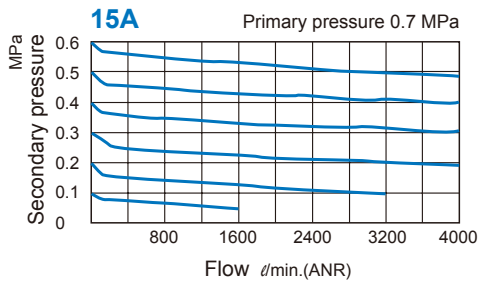
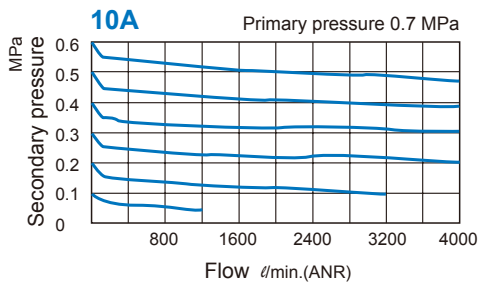
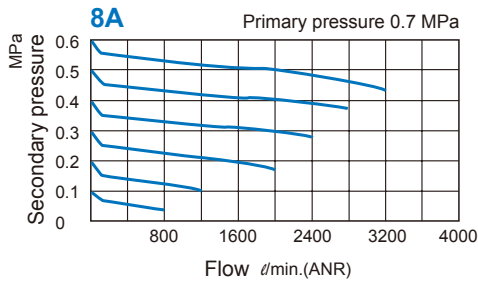
- * PG-40 (C), A-MAR302 (A) and MP41 (E*) can not be selected at the same time.
- * Specification (W) gauge adapter set (A-MAR302).
- * Refer to page 5-11 for the option of digital pressure switch MP41 (E*).

MAR401-P

MPS Series
pneumatic pressure switch

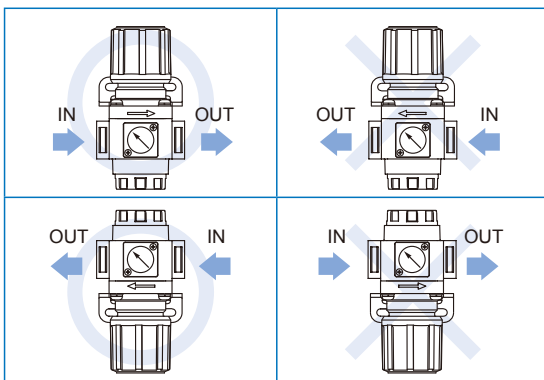


Flow feature

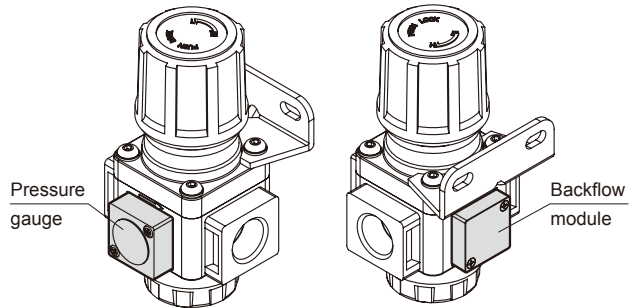


Installation direction

When choosing the flow direction, the backflow module can not be exchange with gauge. If you have special order request, please contact the business.



Precautions

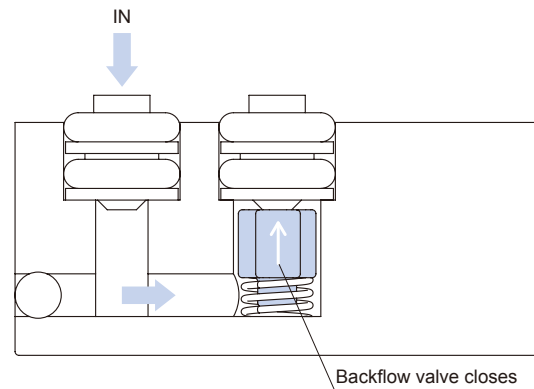


- When the air supply is cut off, the inlet pressure less than outlet pressure, the residual pressure return to the inlet side.
- Please set the inlet pressure to at least 0.05MPa higher than the set pressure.

Working principle

Normally, as the inlet pressure (IN) is higher than the setting pressure (pressure of outlet), the backflow valve is closed. If the inlet pressure is cut off, backflow valve will be opened and the outlet pressure is exhausted to IN port.

Normal air supply



Cut off air source

