



MG-30509M AND MG-30609M

MG-30509M

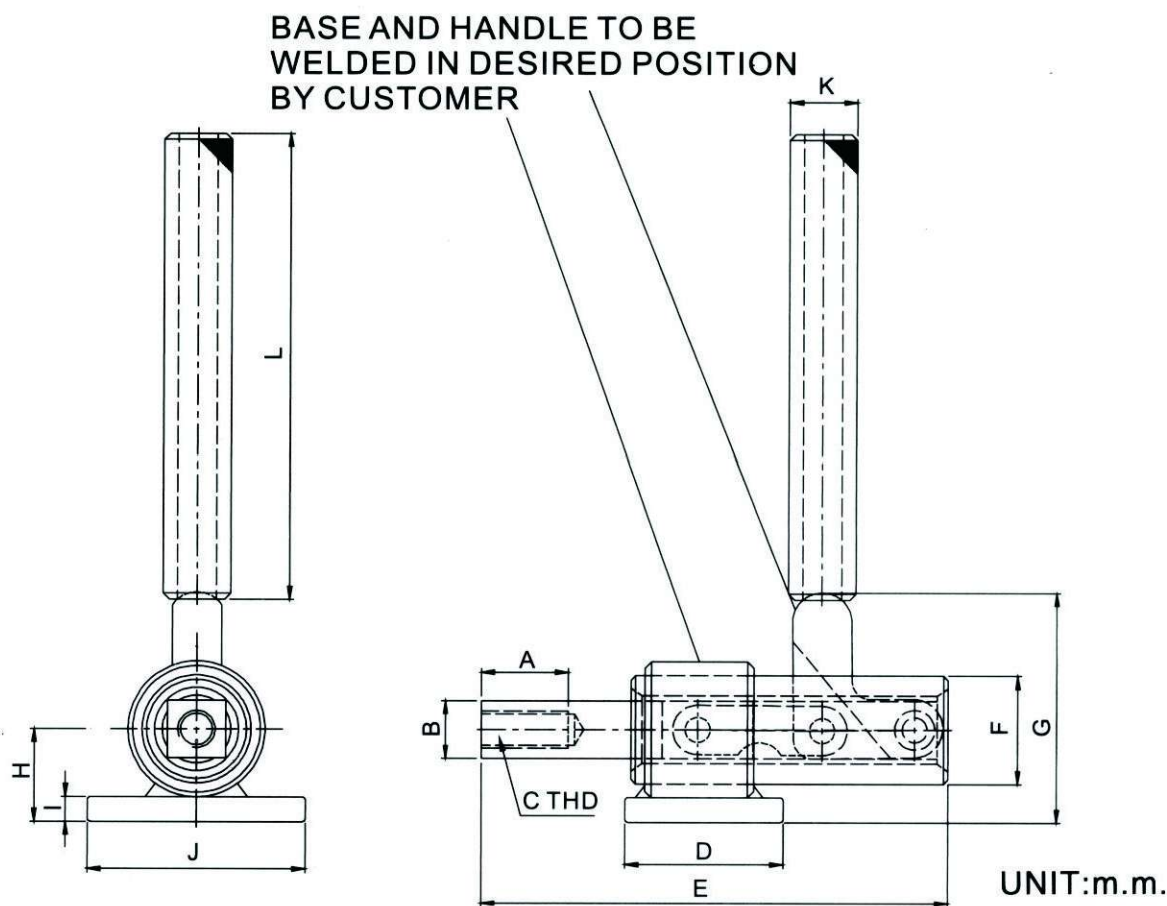
WEIGHT(自重): 1414g
 HOLDING CAPACITY(夾持力): 1136kg
 SPINDLE SUPPLIED
 (壓頭螺絲型號): SA-125017
 HANDLE OPENS(手柄開啟角度): 90°
 PLUNGER STROKE(行程): 46mm

MG-30609M

WEIGHT(自重): 2968g
 HOLDING CAPACITY(夾持力): 2273kg
 SPINDLE SUPPLIED
 (壓頭螺絲型號): SA-165020
 HANDLE OPENS(手柄開啟角度): 90°
 PLUNGER STROKE(行程): 59.5mm



MG-30509M



型號	重量 (克)	夾持力 (公斤)	壓頭螺絲型號	行程	A	ØB	C	D	E	F	G	H	I	J	ØK	L
MG-30509M	1414	1136	SA-125017	46	30	18.7	M12 P=1.75	50	150	34.9	74	30	8	70	21.7	152.4
MG-30609M	2968	2273	SA-165020	59.5	38.1	25	M16 P=2	70	197.5	44.4	87	40	11.2	90	27.2	152.4

MG-30519M AND MG-30619M

MG-30519M

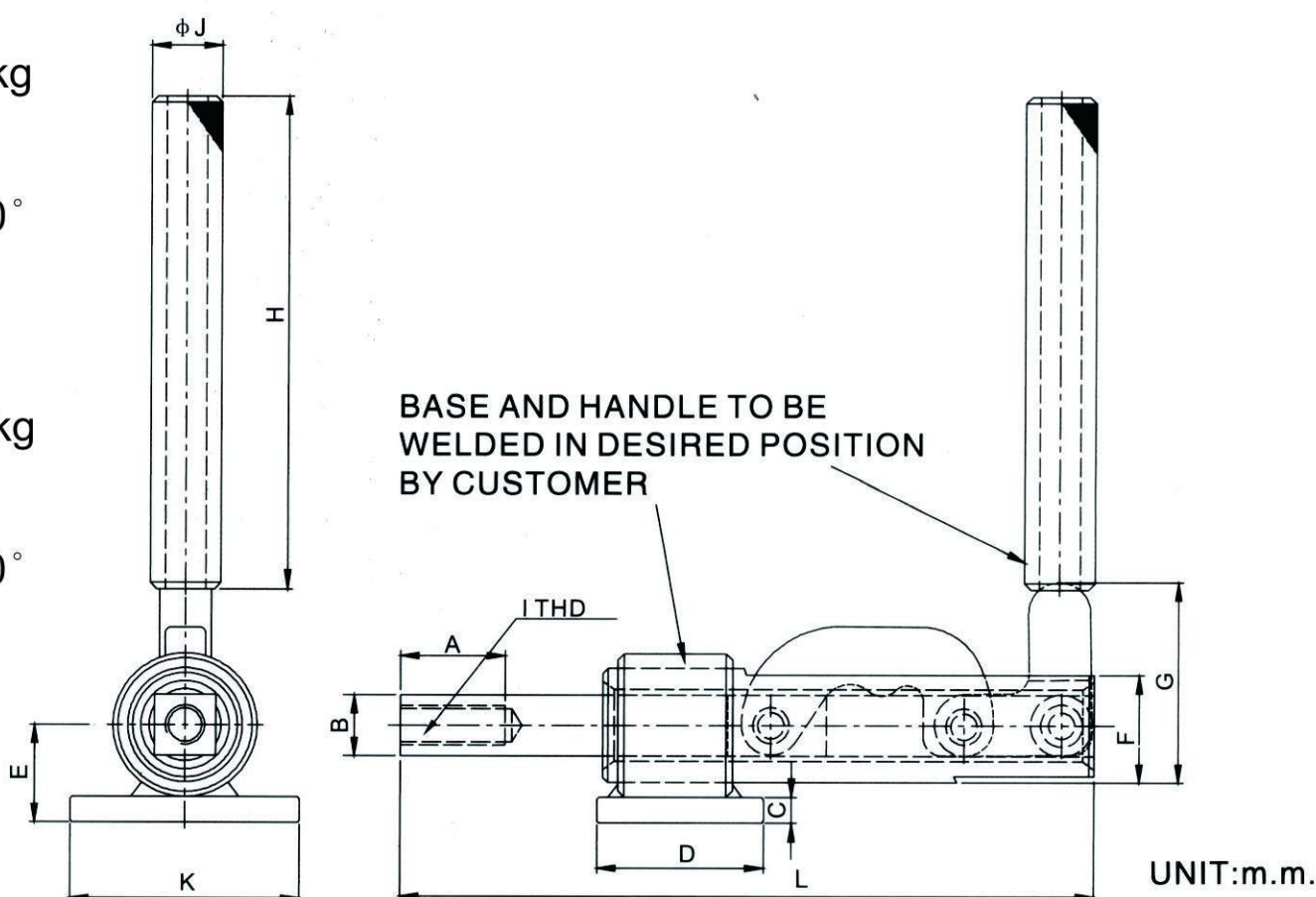
WEIGHT(自重): 1700g
 HOLDING CAPACITY(夾持力): 1136kg
 SPINDLE SUPPLIED
 (壓頭螺絲型號): SA-125017
 HANDLE OPENS(手柄開啟角度): 170°
 PLUNGER STROKE(行程): 59.5mm

MG-30619M

WEIGHT(自重): 3600g
 HOLDING CAPACITY(夾持力): 2273kg
 SPINDLE SUPPLIED
 (壓頭螺絲型號): SA-165020
 HANDLE OPENS(手柄開啟角度): 170°
 PLUNGER STROKE(行程): 77.8mm



MG-30519M



型號	重量 (克)	夾持力 (公斤)	壓頭螺絲型號	行程	A	ØB	C	D	E	F	G	H	I	ØJ	K	L
MG-30519M	1700	1136	SA-125017	59.5	30	18.7	8	50	30	34.9	74	152.4	M12 P=1.75	21.7	70	212
MG-30619M	3600	2273	SA-165020	77.8	38.1	25	11.2	70	40	44.4	87	152.4	M16 P=2.0	27.2	90	272