

**MG-30607M AND MG-30608M**

* Forged alloy steel base

(底座為鍛造合金鋼)

WEIGHT(自重): 700g

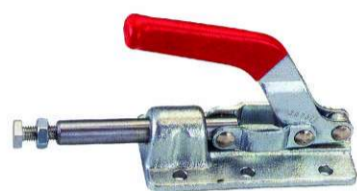
HOLDING CAPACITY(夾持力): 318kg

SPINDLE SUPPLIED

(壓頭螺絲型號): SA-085012

HANDLE OPENS(手柄開啟角度): 180°

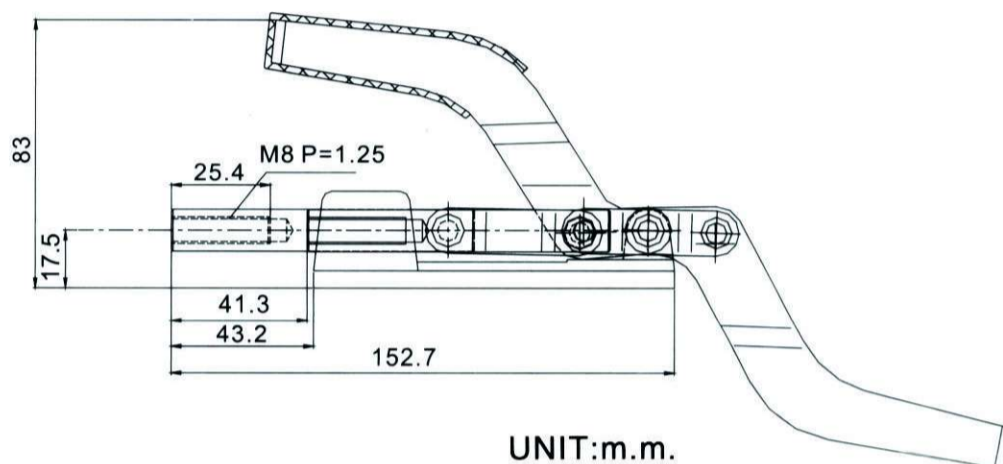
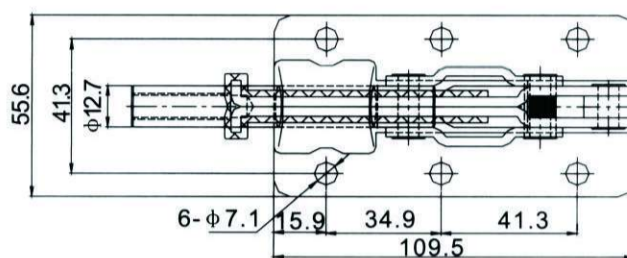
PLUNGER STROKE(行程): 41.3mm



MG-30607M



MG-30608M

**MG-36330ML**

* Ductiles iron base

(底座為鑄鋼)

WEIGHT(自重): 1250g

HOLDING CAPACITY(夾持力): 350kg

SPINDLE SUPPLIED

(壓頭螺絲型號): SA-085012

HANDLE OPENS(手柄開啟角度): 185°

PLUNGER STROKE(行程): 78mm



MG-36330ML

