

## MG-30290M AND MG-30292M

\* Plunger locks in Extended Position Only.

手柄下壓為鎖緊狀態。

WEIGHT(自重): 1270g

HOLDING CAPACITY(夾持力): 295kg

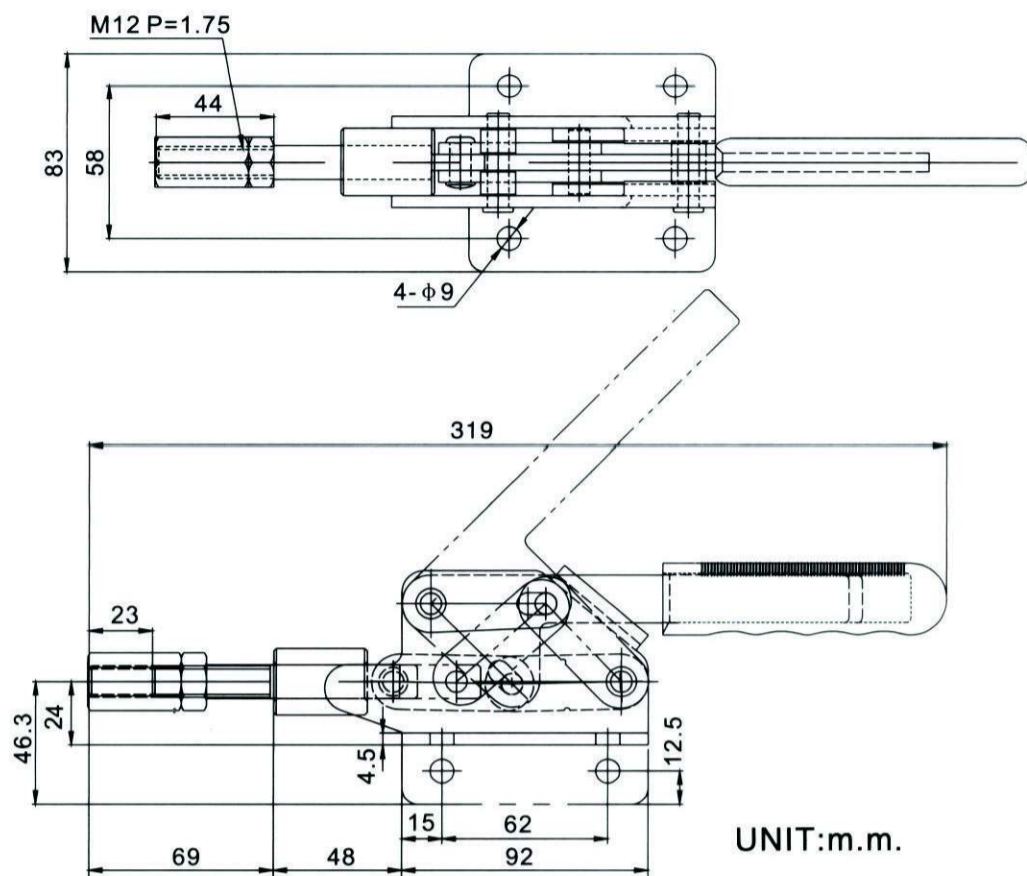
HANDLE OPENS(手柄開啟角度): 45°

PLUNGER STROKE(行程): 23mm



MG-30290M

型號	描述
MG-30290M	法蘭座
MG-30292M	直座



## MG-36020 AND MG-36020-K

\* MG-36020-K has a key way to keep the Plunger from rotating.

(MG-36020-K導筒上裝有一個鍵，防止頂軸轉動)

WEIGHT(自重): 380g

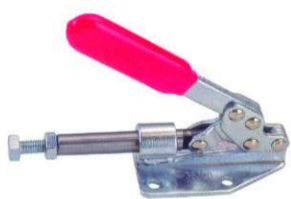
HOLDING CAPACITY(夾持力): 180kg

SPINDLE SUPPLIED

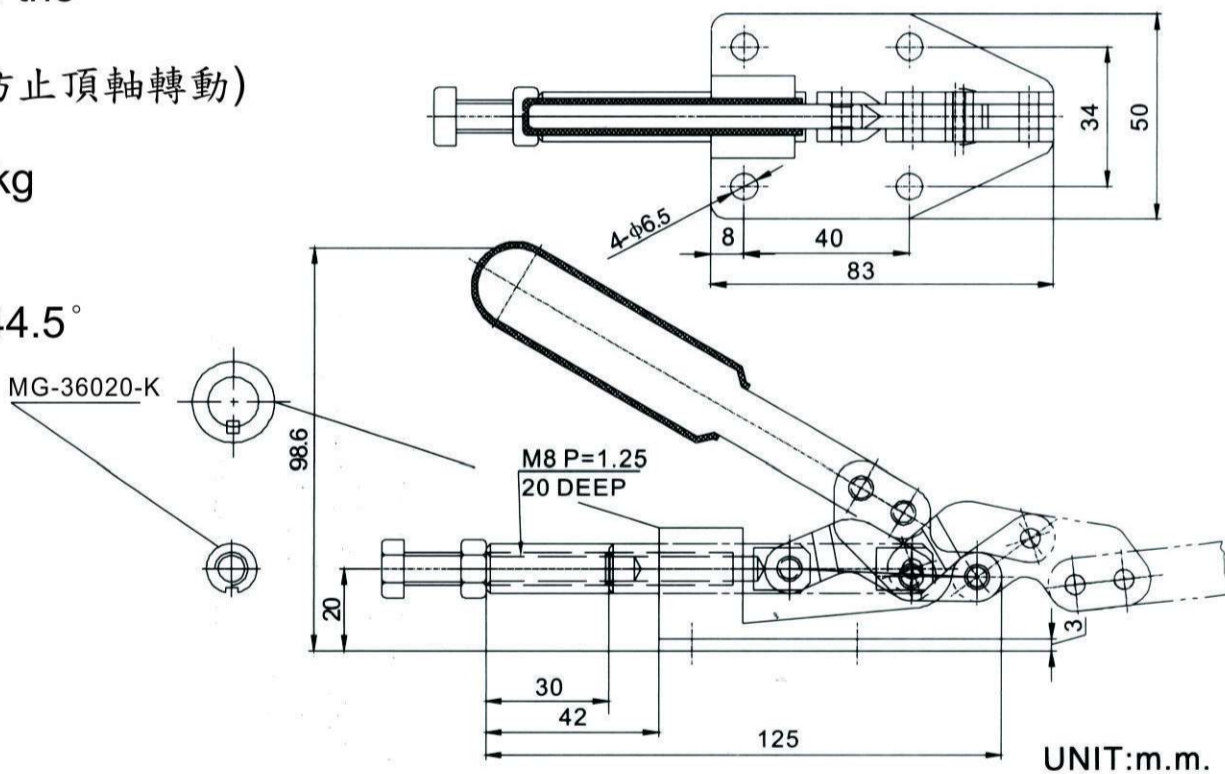
(壓頭螺絲型號): SA-085012

HANDLE OPENS(手柄開啟角度): 144.5°

PLUNGER STROKE(行程): 30mm



MG-36020



## MG-31501

WEIGHT(自重): 380g

HOLDING CAPACITY(夾持力): 200kg

HANDLE OPENS(手柄開啟角度): 190°

PLUNGER STROKE(行程): 30mm



MG-31501

