



Series 5130, 5131, 5133 Product Overview

Features:

- Reverse action allows the handle to stay out of the work zone
- Hardened steel pivot pins and bushings provide long life
- Black oxide finish with hardened plungers

Applications:

- Welding fixtures
- Assembly fixtures
- Light machining



5131/-M
Flanged Base

5131-B/-MB
Solid Base

5130/-M
Flanged Base

5130-B/-MB
Solid Base

5133/-M
Flanged Base

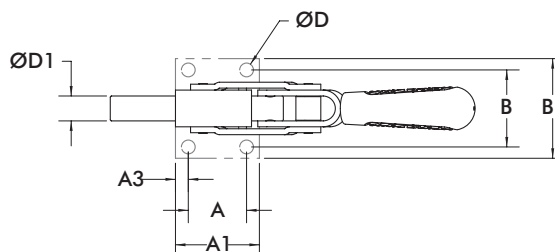
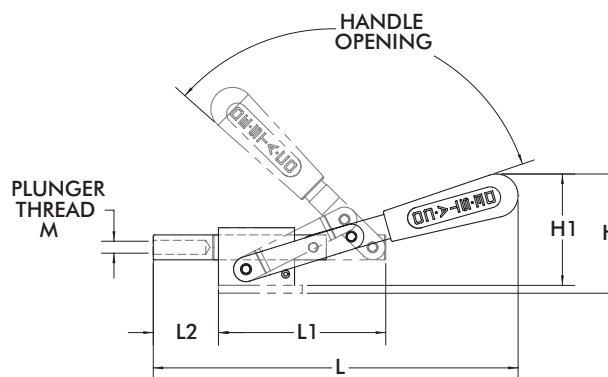
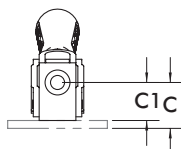
5133-B/-MB
Solid Base



Model	Max. Holding Capacity	Weight	Plunger Travel mm[in.]	Handle Opening	Plunger Thread (M)	Recommended Spindle (not supplied)
5131	[2500lbf.] 11120N	[1.12lbs] 0,51kg	[1.10] 28	113°	5/16-18	461203
					M8	461203-M
5131-B	[2500lbf.] 11120N	[0.85lbs] 0,39kg	[1.10] 28	113°	5/16-18	461203
					M8	461203-M
5130	[5800lbf.] 25800N	[2.87lbs] 1,30kg	[1.90] 48.4	125°	1/2-13	z325203
					M12	220203-M
5130-B	[5800lbf.] 25800N	[2.40lbs] 1,09kg	[1.90] 48.4	125°	1/2-13	325203
					M12	220203-M
5133	[4600lbf.] 20460N	[3.12lbs] 1,41kg	[3.18] 81	139°	1/2-13	325203
					M12	220203-M
5133-B	[4600lbf.] 20460N	[2.65lbs] 1,20kg	[3.18] 81	139°	1/2-13	325203
					M12	220203-M

Series 5130, 5131, 5133 Standard Clamp Dimensions

mm [INCH]
THIRD ANGLE
PROJECTION



Model	A	A1	A3	B	B1	B3	C	D	D1	H	L	L1	L2
5131	[1.13]	[1.73]	[0.30]	[1.87]	[2.52]	[1.14]	[1.10]	[0.34]	[0.51]	[3.15]	[7.37]	[3.22]	[1.15]
5131-M	28,7	44	7,7	47,6	64,0	29,0	28,0	8,6	13,0	80,0	187,2	81,7	29,3
5130										[3.63]	[11.11]	[5.20]	[1.96]
5130-M	[1.75]	[2.52]	[0.38]	[2.99]	[2.99]	[1.57]	[1.38]	[0.41]	[0.75]	92,3	282,4	132,0	49,7
5133	44,5	64,0	9,8	76	75,9	40	35,1	10,5	19,1	[4.22]	[12.89]	[6.58]	[3.23]
5133-M										107,2	327,3	167,0	82,2

Model	B3	C1	D1	H1
5131-B	[1.14]	[0.87]	[0.51]	[2.91]
5131-MB	29,0	22,1	13,0	74,0
5130-B				[3.40]
5130-MB	[1.57]	[1.14]	[0.75]	86,3
5133-B	39,9	29,0	19,1	[3.98]
5133-MB				101,2

ⓘ This item is available upon request