

Series 205 Product Overview

Features:

- Smallest of the Horizontal Hold Down clamps
- Ideal for light duty clamping in tight spaces
- Stainless steel models furnished without plastic grip

Applications:

- Assembly
- Closures
- Woodworking
- Light duty clamping

Also Available:

See page 7.1 for accessories  
Accommodates M4 or #8 spindle accessory

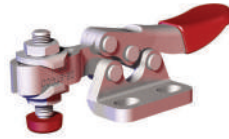
**205-U**  
Flanged Base  
U-Bar



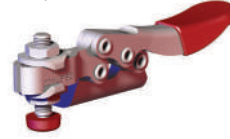
**205-UB** ⓘ  
Straight Base  
U-Bar



**205-UL** ⓘ  
Left Flanged  
Base, U-Bar



**205-UR** ⓘ  
Right Flanged  
Base, U-Bar



**205-USS**  
Flanged Base  
U-Bar, Stainless  
Steel



**205-S**  
Flanged Base  
Solid Bar



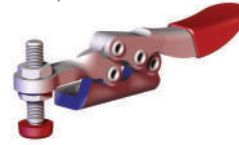
**205-SB** ⓘ  
Straight Base  
Solid Bar



**205-SL** ⓘ  
Left Flanged Base,  
Solid Bar



**205-SR** ⓘ  
Right Flanged  
Base, Solid Bar



**205-SSS**  
Flanged Base  
Solid Bar, Stainless  
Steel



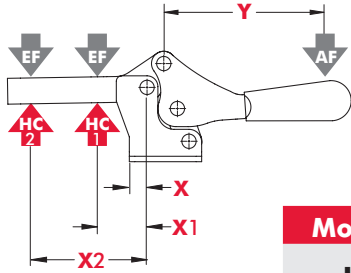
Note:  
Clamps shown with included accessories.

Series 205 Technical Information

Model	Max. Holding Capacity	Clamp Bar Opening (+10°)	Handle Opening (+10°)	Weight	Accessories (Supplied)	
					Spindle Assembly	Flanged Washers
<b>205-U</b>	270N [60 lbf]	90°	80°	0,03kg [0.06lb]	205208-M	105106
<b>205-UB</b> ⓘ						
<b>205-UL</b> ⓘ						
<b>205-UR</b> ⓘ	340N [75 lbf]	94°	82°	0,03kg [0.06lb]	205943-M	105906
<b>205-USS</b>						
<b>205-S</b>	270N [60 lbf]	94°	82°	0,03kg [0.06lb]	205208-M	--
<b>205-SB</b> ⓘ						
<b>205-SL</b> ⓘ						
<b>205-SR</b> ⓘ						
<b>205-SSS</b>	340N [75 lbf]				205943-M	

ⓘ This item is available upon request

## Series 205 Holding Capacities

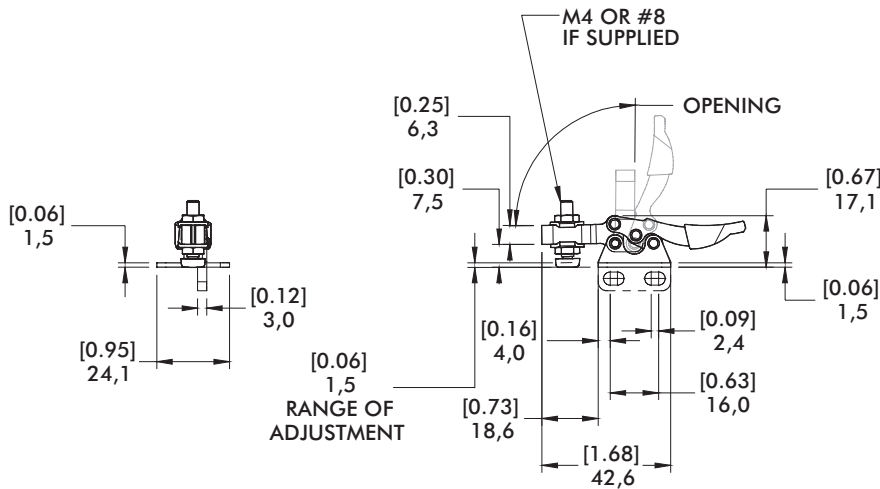
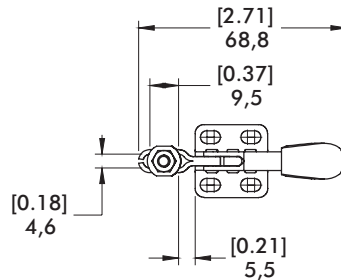


Model	X	X1	X2	Y	±HC1	±HC2	±EF(X1):AF	±EF(X2):AF
<b>U</b>		[0.43] 11			[60lbf.] 270N	[50lbf.] 220N	9:1	5:1
<b>USS</b>	[0.22] 5,6		[0.81] 20,5	[1.31] 33,2	[75lbf.] 340N	[65lbf.] 290N		
<b>S</b>		--			--	[60lbf.] 270N	--	4:1
<b>SSS</b>						[75lbf.] 340N		

Dimensions shown "mm [inch]" ± HC = Holding Capacity, EF = Exerting Force, AF = Applied Force  
Refer to page 15.4 for additional information.

## Series 205 Standard Clamp Dimensions -U/-UB/-UL-/-UR/-USS/-S/-SB/-SL-/-SR-/-SSS

**205-U**  
Flanged Base  
U-Bar



**205-S**  
Flanged Base  
Solid Bar

