



Series 330, 351, 371, 381 Product Overview

Features:

- J-hook style latch clamps are supplied with threaded J-hooks for easy adjustment
- Supplied with patented thumb control lever for one handed operation
- DE-STA-CO® Toggle Lock Plus versions available
- Stainless steel version available as **-SS** models

Applications:

- Molding
- Closures for doors, lids, covers
- Assembly

Also Available:

- Clamps with longer hooks available Upon Request that are 25mm, 50mm, 100mm longer than standard length
- To order clamp with longer hook, add **-M-25**, **-M-50**, or **-M-100** to the end of the model. Example: 330-**M-50**

Covered under one year or more U.S./International Patents

330
330-SS



351
351-SS



351-B
351-BSS
Narrow Base



351-R
with
DE-STA-CO®
Toggle Lock
Plus



371
371-SS



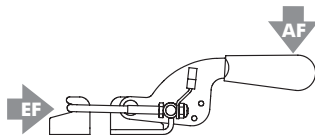
371-R
with DE-STA-CO®
Toggle Lock
Plus



381
381-SS



Series 330, 351, 371, 381 Technical Information, Holding Capacities



Model	Max. Holding Capacity	Weight	EF:AF	Drawing Movement	Replacement Hook Assembly	Hook Adj. Range
330	900 N [200 lbf]	0,11kg [0.24lb]	17:1	59,7 [2.35]	330215	7.4 [0.29]
330-SS					330915	
351	1670 N [375 lbf]	0,28kg [0.61lb]	21:1	101,6 [4.00]	351215	12.4 [0.49]
351-SS	2000 N [450 lbf]				351915	
351-B	1670 N [375 lbf]				351215	
351-BSS					351915	
351-R					351215	
371	3340 N [750 lbf]	0,69kg [1.53lb]	36:1	136,7 [5.38]	371215	23.9 [0.94]
371-SS		371915				
371-R		0,85kg [1.88lb]			371215	
381	4450 N [1000 lbf]	1,16kg [2.56lb]	37:1	155,7 [6.13]	381215	29.7 [1.17]
381-SS					381915	

EF = Exerting Force, AF = Applied Force

Series **330, 351, 371, 381** Standard Clamp Dimensions
330/351/371/381/-SS/-B/-BSS

330
330-SS



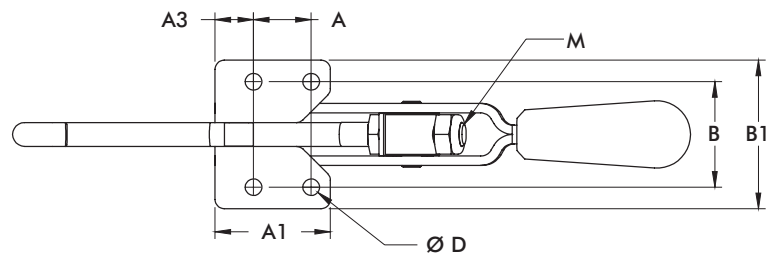
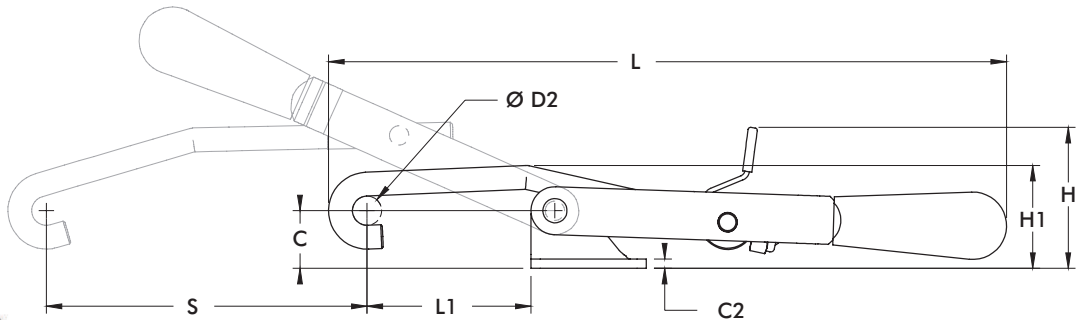
351
351-SS



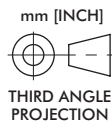
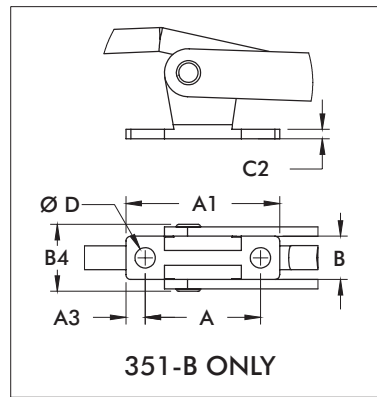
371
371-SS



381
381-SS



351-B
351-BSS
Narrow Base

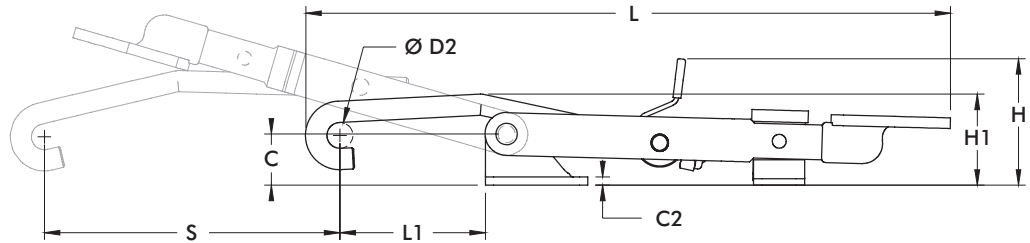


Model	A	A1	A3	B
330	[0.50]	[1.00]	[0.25]	[1.22]
330-SS	12,7	25,4	6,4	30,9
351	[0.75]	[1.50]	[0.50]	[1.37]
351-SS	19,1	38,1	12,7	34,8
351-B	[1.50]	[2.00]	[0.25]	[0.56]
	38,1	38,1	6,4	14,3
371	[1.25]	[1.94]	[0.34]	[1.94]
371-SS	31,8	49,2	8,7	49,2
381	[1.13]	[2.13]	[0.50]	[2.37]
381-SS	28,6	54,1	12,7	60,3

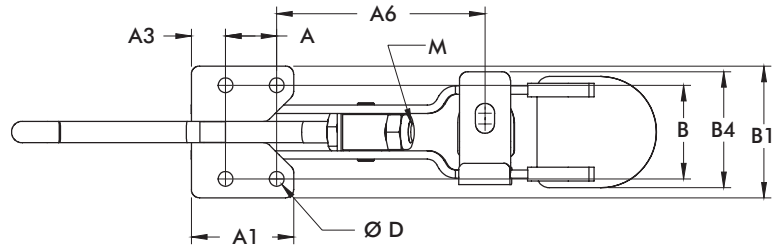
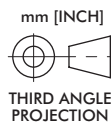
Model	B1	B4	C	C2	ØD	ØD2	H	H1	L	L1 Max	M	S
330	[1.69]	-	[0.56]	[0.12]	[0.22]	[0.32]	[1.43]	[0.89]	[6.01]	[1.70]	M5	[2.35]
330-SS	42,9	-	14,2	3,1	5,6	8,1	36,2	22,6	152,7	43,3		59,7
351	[1.93]	-	[0.75]		[0.22]		[1.83]	[1.34]		[2.13]		
351-SS	49,1	-	19,1		5,5		46,6	34		54,2		
				[0.12]		[0.38]			[8.82]		M8	[4.00]
351-B	-	[0.87]	[0.86]		[0.27]		[1.94]	[1.45]		[1.63]		
		22,1	21,8		6,7		49,3	36,8		41,4		
371	[2.63]	-	[1.42]		[0.34]	[0.50]	[2.58]	[2.23]	[11.89]	[2.81]	M10	[5.38]
371-SS	66,7	-	36,1		8,7	12,7	65,6	56,5	302	71,5		136,7
381	[3.38]	-	[1.81]		[0.41]	[0.62]	[2.90]	[2.71]	[13.45]	[3.13]	M12	[6.13]
381-SS	85,9	-	46		10,3	15,7	73,6	68,8	341,7	79,5		155,7

Series 351-R, 371-R Standard Clamp Dimensions

371-R
with
DE-STA-CO®
Toggle Lock
Plus

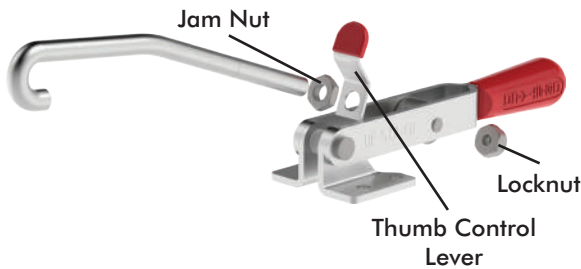


351-R
with
DE-STA-CO®
Toggle Lock
Plus



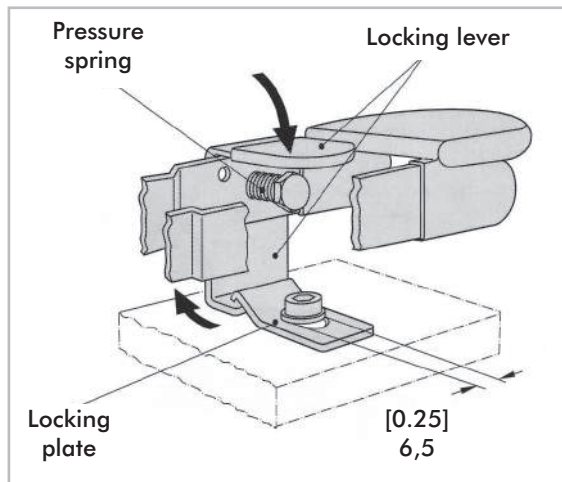
Model	A	A1	A3	A6	B	B1	B4	C	C2	ØD	H	H1
351-R	[0.75] 19,1	[1.50] 38,1	[0.50] 12,7	[3.06] 77,7	[1.37] 34,8	[1.93] 49,1	[1.70] 19,1	[0.75] 19,1	[0.12] 3,1	[0.22] 5,5	[1.85] 47,1	[1.34] 33,9
371-R	[1.25] 31,8	[1.94] 49,2	[0.34] 8,7	[4.73] 120,1	[1.94] 49,2	[2.63] 66,7	[2.25] 57,2	[1.42] 36,1	[0.16] 4	[0.34] 8,7	[2.65] 67,4	[2.22] 56,3

Model	L	L1	M	S
351-R	[9.45] 240	[2.13] 54,2	M8	[4.33] 110
371-R	[12.74] 323,6	[2.81] 71,4	M10	[5.59] 142



For added convenience, DE-STA-CO Pull Action Toggle Clamps are supplied with a thumb control lever.

Replacement Thumb Control Lever	Used on Clamp Model
330-ZB1	330
351-ZB1	351, 351-B 351-R, 351-SS
371-ZB1	371, 371-R 371-SS
381-ZB1	381, 381-SS



Model 351-R, 371-R

Information concerning the assembly and function of the clamps locking mechanism

The locking plate which is supplied with the unit must be fastened with a screw (M6 or 1/4-20) as shown in this illustration. The screw head should be flat.

Function

When closing the latch clamp, the locking lever engages automatically. Actuate the locking lever to open the clamp.

Series **351-R**, **371-R** Replacement Hook Assembly Standard Dimensions

Replacement Hook Assembly	Used on Clamp Model	A1	A2	B	ØC	M	Material	
330215	330	[2.00] 50,8					Steel	
330215-M-25 ⓘ	330-M-25	[3.00] 76,2						
330215-M-50 ⓘ	330-M-50	[4.00] 101,6						
330215-M-100 ⓘ	330-M-100	[6.00] 152,4	[1.50] 38,1	[0.75] 19,1	[0.32] 8,1	M5 x 0.8		
330915	330-SS	[2.00] 50,8						Stainless Steel
330915-M-25 ⓘ	330-SS-M-25	[3.00] 76,2						
330915-M-50 ⓘ	330-SS-M-50	[4.00] 101,6						
330915-M-100 ⓘ	330-SS-M-100	[6.00] 152,4						
351215	351 351-B 351-R	[2.09] 53,1					Steel	
351215-M-25 ⓘ	351-M-25 351-B-M-25 351-R-M-25	[3.09] 78,5						
351215-M-50 ⓘ	351-M-50 351-B-M-50 351-R-M-50	[4.09] 103,9	[3.38] 85,9	[1.63] 41,4	[0.38] 9,6	M8 x 1.25		
351215-M-100 ⓘ	351-M-100 351-B-M-100 351-R-M-100	[6.09] 154,7						
351915	351-SS	[2.09] 53,1						Stainless Steel
351915-M-25 ⓘ	351-SS-M-25	[3.09] 78,5						
351915-M-50 ⓘ	351-SS-M-50	[4.09] 103,9						
351915-M-100 ⓘ	351-SS-M-100	[6.09] 154,7						
371215	371 371-R	[2.94] 74,7						Steel
371215-M-25 ⓘ	371-M-25 371-R-M-25	[3.94] 100						
371215-M-50 ⓘ	371-M-50 371-R-M-50	[4.94] 125,5	[4.16] 105,7	[2.22] 56,4	[0.50] 12,7	M10 x 1.50		
371215-M-100 ⓘ	371-M-100 371-R-M-100	[6.94] 176,3						
371915	371-SS	[2.94] 74,7					Stainless Steel	
371915-M-25 ⓘ	371-SS-M-25	[3.94] 100						
371915-M-50 ⓘ	371-SS-M-50	[4.94] 125,5						
371915-M-100 ⓘ	371-SS-M-100	[6.94] 176,3						
381215	381	[3.00] 76,2					Steel	
381215-M-25 ⓘ	381-M-25	[4.00] 101,6						
381215-M-50 ⓘ	381-M-50	[5.00] 127						
381215-M-100 ⓘ	381-M-100	[7.00] 177,8	[4.63] 117,6	[2.50] 63,5	[0.62] 15,8	M12 x 1.75		
381915	381-SS	[3.00] 76,2						Stainless Steel
381915-M-25 ⓘ	381-SS-M-25	[4.00] 101,6						
381915-M-50 ⓘ	381-SS-M-50	[5.00] 127						
381915-M-100 ⓘ	381-SS-M-100	[7.00] 177,8						

ⓘ This item is available upon request.

