

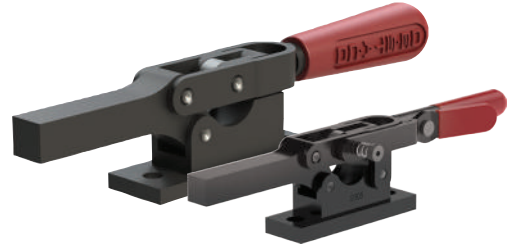
Series 5305, 5310 Product Overview

Features:

- Solid clamping arm may be modified to suit requirements
- Hardened steel pivot pins and bushings provide long life
- Black oxide finish
- DE-STA-CO® Toggle Lock Plus versions available†

Applications:

- Welding fixtures
- Assembly fixtures
- Light machining



5305/5310  
Flanged Base



5305-B/5310-B  
Solid Base



5305-R/5310-R  
Flanged Base with DE-STA-CO® Toggle Lock Plus



5305-BR†/5310-BR†  
Solid Base with DE-STA-CO® Toggle Lock Plus



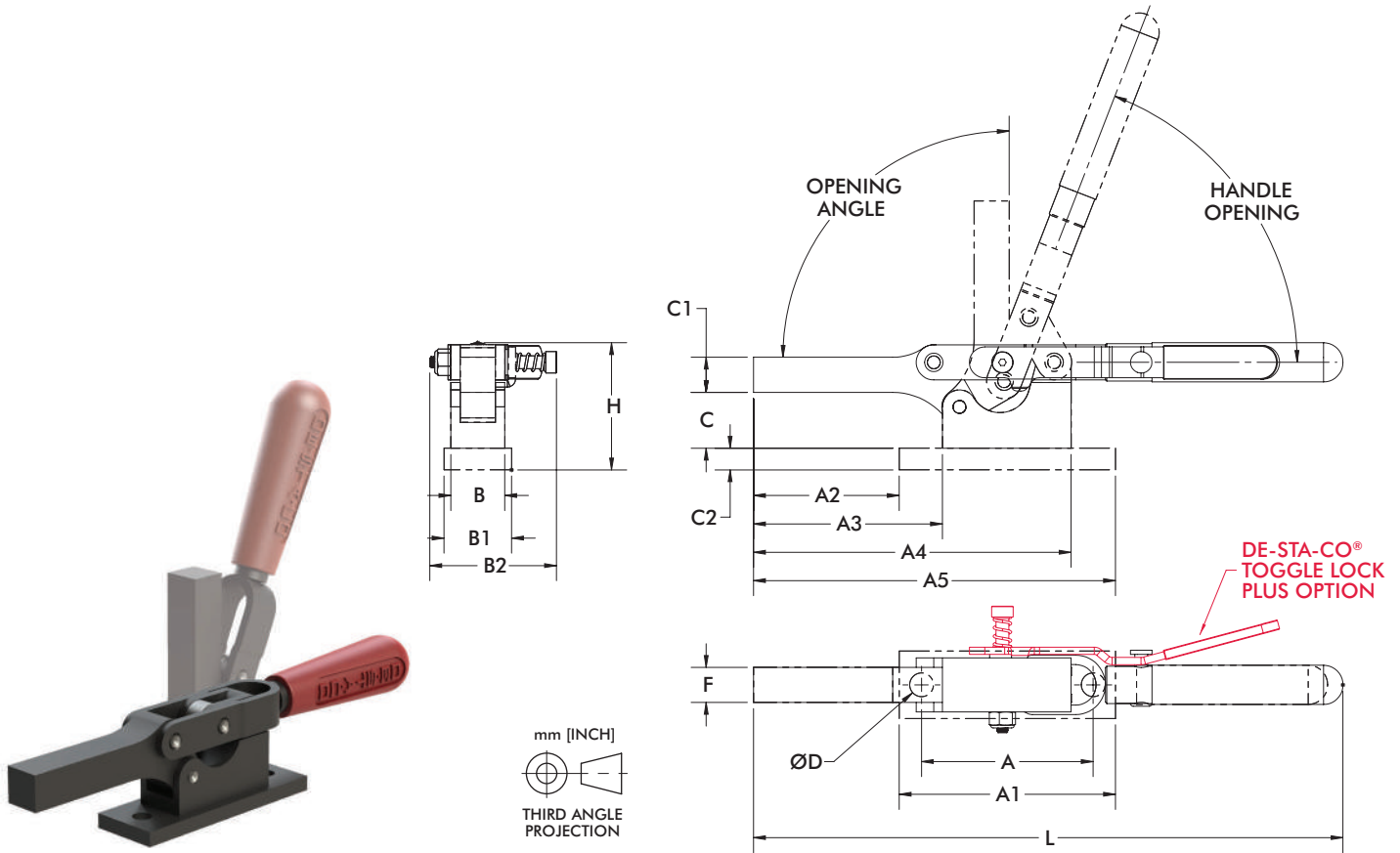
Series 5305, 5310 Technical Information

Model	Max. Holding Capacity	Clamp Bar Opening (+10°)	Handle Opening (+10°)	Weight
5305	[600lbf.] 2670N	90°	69°	[1.08lbs] 0,49kg
5305-B				[0.82lbs] 0,37kg
5305-R				[1.09lbs] 0,49kg
5305-BR†				[0.83lbs] 0,37kg
5310	[1300lbf.] 5780N	90°	69°	[2.84lbs] 1,29kg
5310-B				[2.24lbs] 1,02kg
5310-R				[2.87lbs] 1,30kg
5310-BR†				[2.27lbs] 1,03kg

† This item is available upon request.

† Toggle Lock Plus locks the handle in the closed position only.

Series 5305, 5310 Standard Clamp Dimensions



mm [INCH]  
THIRD ANGLE PROJECTION

Model	A	A1	A2	A3	A4	A5	B	B1	B2	C	C1	C2	D	F	H	L
<b>5305</b>	[2.50]	[3.15]	[2.12]	[2.75]	[4.63]	[5.27]	[0.79]	[0.98]	--	[0.81]	[0.51]	[0.31]	[0.35]	[0.51]	[1.51]	[8.36]
<b>5305-R</b>	63,5	80,0	53,8	69,9	117,6	133,9	20,1	24,9	[1.84] 46,7	20,6	13,0	7,9	8,9	13,0	38,4	212,4
<b>5310</b>	[3.63]	[4.63]	[2.63]	[3.63]	[6.25]	[7.25]	[1.13]	[1.50]	--	[1.00]	[0.75]	[0.31]	[0.41]	[0.79]	[2.00]	[11.13]
<b>5310-R</b>	92,2	117,6	66,8	92,2	158,8	184,2	28,7	38,1	[2.31] 58,7	25,4	19,1	7,9	10,4	20,1	50,8	[11.02] 279,8

Model	A3	A4	B2	C	C1	F	H	L
<b>5305-B</b>	[2.75]	[4.63]	--	[0.81]	[0.51]	[0.51]	[1.51]	[8.36]
<b>5305-BR<sup>①</sup></b>	69,9	117,6	[1.84] 46,7	20,6	13,0	13,0	38,4	212,4
<b>5310-B</b>	[3.63]	[6.25]	--	[1.00]	[0.75]	[0.79]	[2.00]	[11.13]
<b>5310-BR<sup>①</sup></b>	92,2	158,8	[2.31] 58,7	25,4	19,1	20,1	50,8	[11.02] 279,8

① This item is available upon request