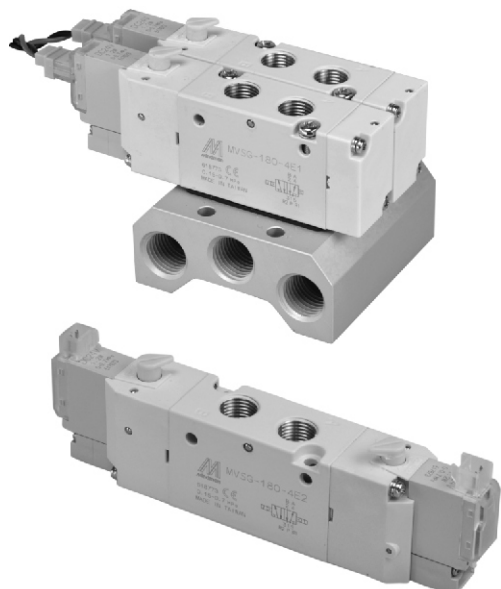


MVSG-180 series

SOLENOID VALVE



mindman



Specification

| Model | 4E1 | 4E2 | 4E2C.P.R |
|--------------------------|------------------------------|--------------------|----------|
| Bore No. | 6A | | |
| Port size | Rc1/8 | | |
| No. of port | 5 | | |
| No. of position | 2 | 3 | |
| Medium | Air | | |
| Operating pressure range | 0.15~0.7 MPa | 0.3~0.7 MPa | |
| Proof pressure | 1 MPa | | |
| Effective orifice | 10 mm ² | 10 mm ² | |
| Response time | 15 ms | 30 ms | |
| Ambient temperature | +5~+50℃ | | |
| Voltage | AC110V (50/60)Hz, DC6/12/24V | | |
| Power consumption | AC=1.6VA, DC=1.2W | | |
| Available voltage range | ±10% | | |
| Insulation class | B class | | |
| Weight | 74 g | 94 g | 132 g |

Order example of valve

MVSG - 180 - 4E2C - AC110 - LJ1 - G

MODEL

BODY WIDTH

VOLTAGE
AC110V(50/60)Hz
DC6V
DC12V
DC24V

C: Closed center
P: Pressure center
R: Exhaust center
(Only for 4E2 type)

4: 4way

E1: Single Solenoid
E2: Double Solenoid

PLUG TYPE

LJ : Plug on side
(※1)

LR : Plug on side
(※2)

SR : Plug on top (※2)

WIRE LENGTH

Blank : 500mm
1 : 1000mm
2 : 2000mm
3 : 3000mm

PORT THREAD
Blank: Rc thread
G: G thread
NPT: NPT thread

(※1): Connector with flying leads JPC type.

(※2): Connector with flying leads RMH type. (Original)

Order example of manifold

MVSG - 180 - 5B3 - G

MODEL

PORT THREAD
Blank: Rc thread
G: G thread
NPT: NPT thread

MANIFOLD

MANIFOLD NUMBER
1, 2, 3...

Order example of wire

※Use the same wire with MVDY.

MVDY - 100 - WA2J2

MODEL

VOLTAGE

A2: AC220V(50/60)Hz
A1: AC110V(50/60)Hz
D: DC24V/12V/6V

WIRE

J: JPC type

R: RMH type

WIRE LENGTH

Blank : 500mm
1 : 1000mm
2 : 2000mm
3 : 3000mm



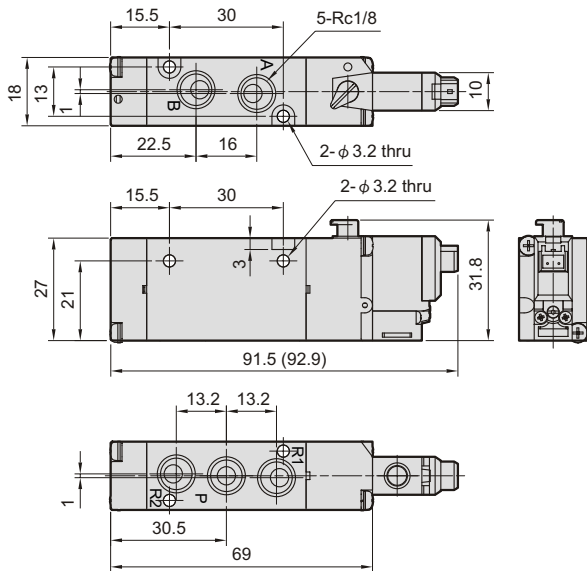
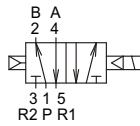
mindman

MVSG-180 Dimensions

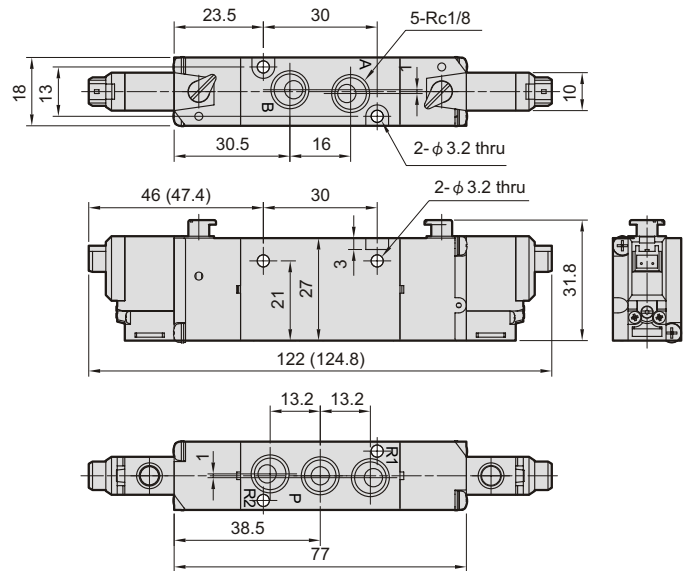
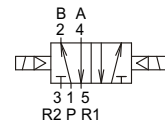
SOLENOID VALVE



MVSG-180-4E1



MVSG-180-4E2

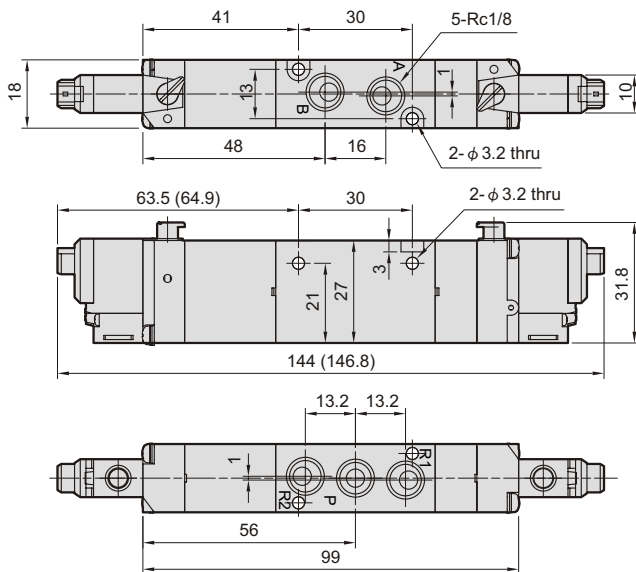
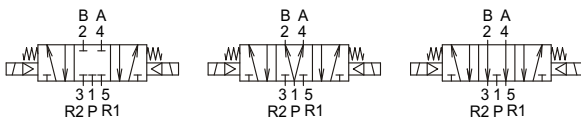


MVSG-180-4E2C.PR

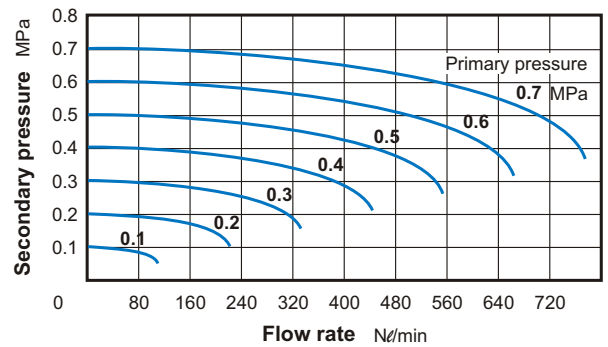
MVSY-188-4E2C

MVSY-188-4E2P

MVSY-188-4E2R



Flow features



() : Dimension for LJ plug type.



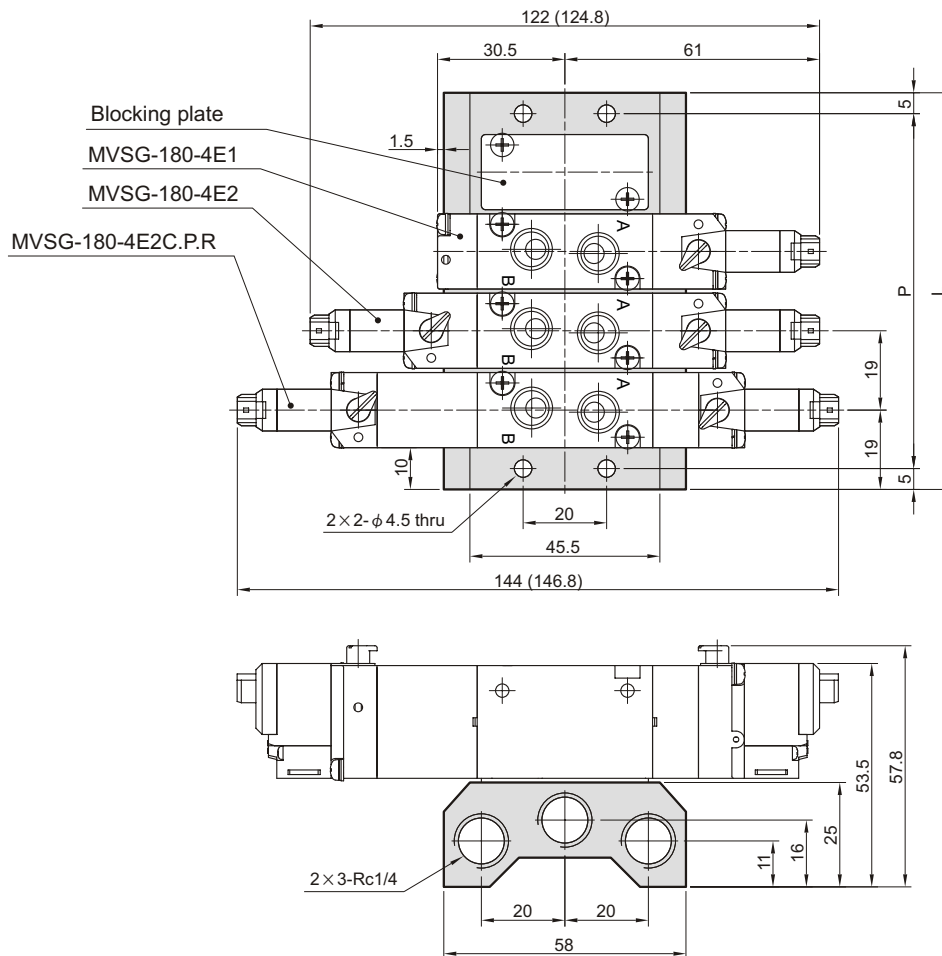
MVSG-180 Manifold

SOLENOID VALVE



mindman

MVSG-180-5B*



| No. of stations | P | L |
|-----------------|-----|-----|
| 2 | 47 | 57 |
| 3 | 66 | 76 |
| 4 | 85 | 95 |
| 5 | 104 | 114 |
| 6 | 123 | 133 |
| 7 | 142 | 152 |
| 8 | 161 | 171 |
| 9 | 180 | 190 |
| 10 | 199 | 209 |

():Dimension for LJ plug type.



mindman