

MVSB-188 series

SOLENOID VALVE



Specification

	4E1, 4E2	4E2C.P.R
Bore No.	8A	
Port size	Rc1/4	
No. of port	5	
No. of position	2	3
Medium	Air	
Operating pressure range	0.15~0.8 MPa	0.2~0.7 MPa
Proof pressure	1 MPa	
Effective orifice	15 mm ²	18 mm ²
Response time	30 ms	25 ms
Ambient temperature	- 5~ + 50°C (No freezing)	
Voltage	AC110V, AC220V (50/60)Hz, DC24V	
Power consumption	AC=2.1/1.8VA, DC=1.6W	
Available voltage range	± 10%	
Insulation class	B class	
Weight	106 g, 145 g	150 g

Order example of valve

MVSB – 188M – 4E2C – AC110 – L – G

MODEL

BODY WIDTH

Blank: body ported type
M: manifold type

VOLTAGE

AC220V(50/60)Hz
AC110V(50/60)Hz
DC24V

PORT THREAD

Blank: Rc thread
G: G thread
NPT: NPT thread
(Only for body ported type)

4: 4way

E1: Single Solenoid
E2: Double Solenoid

C: Closed center
P: Pressure center
R: Exhaust center
(Only for 4E2 type)

Blank: Lead wire
D: DIN connector
L: Lead wire with LED indicator

Order example of manifold

MVSB – 188M – 5M3 – G

MODEL

Blank: body ported type
M: manifold type

MANIFOLD
5B: for body ported type
5M: for manifold type

MANIFOLD NUMBER
1, 2, 3...

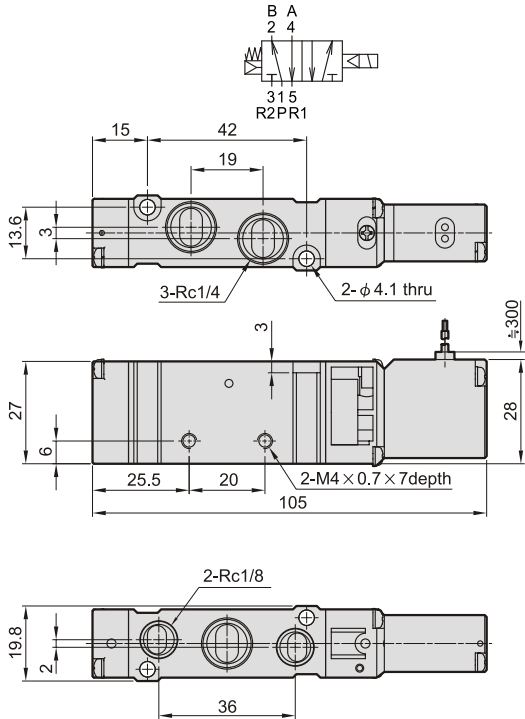
PORT THREAD
Blank: Rc thread
G: G thread
NPT: NPT thread



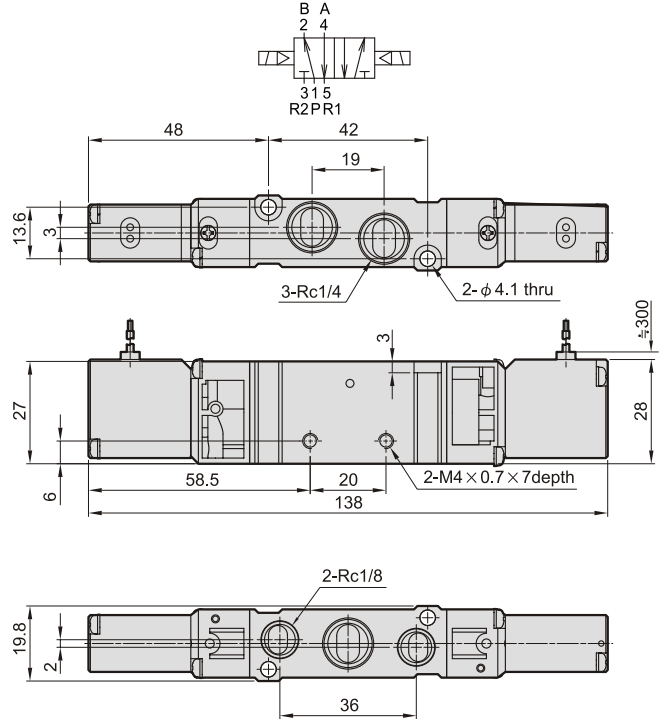
MVSB-188 Dimensions

SOLENOID VALVE

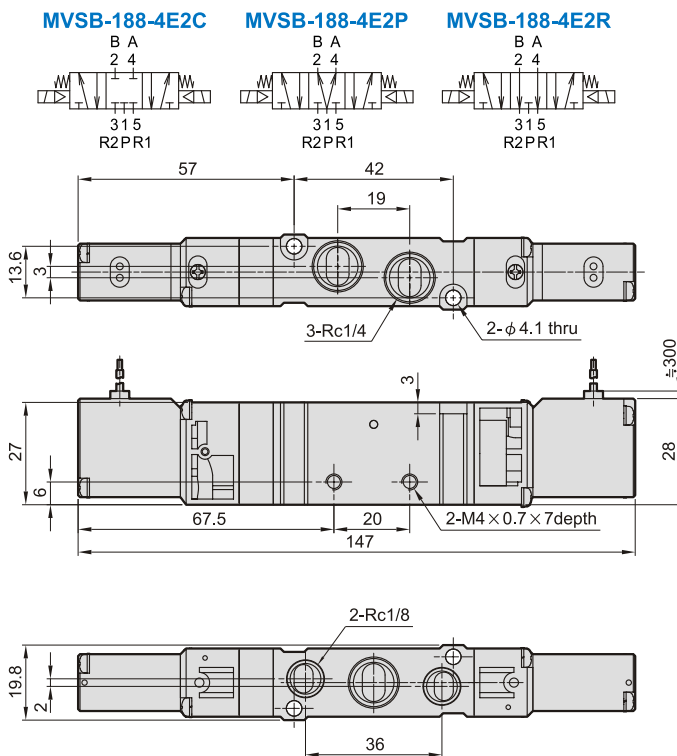
MVSB-188-4E1



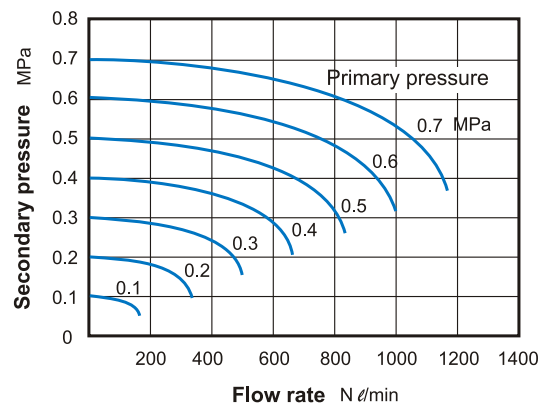
MVSB-188-4E2



MVSB-188-4E2C.PR



Flow features



MVSB-188 Manifold

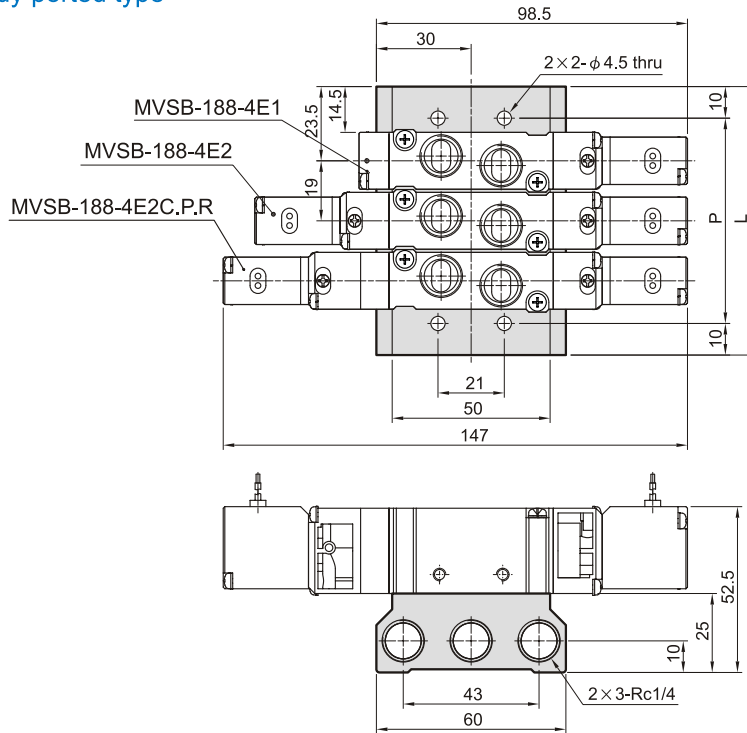
SOLENOID VALVE



Mindman

MVSB-188-5B*

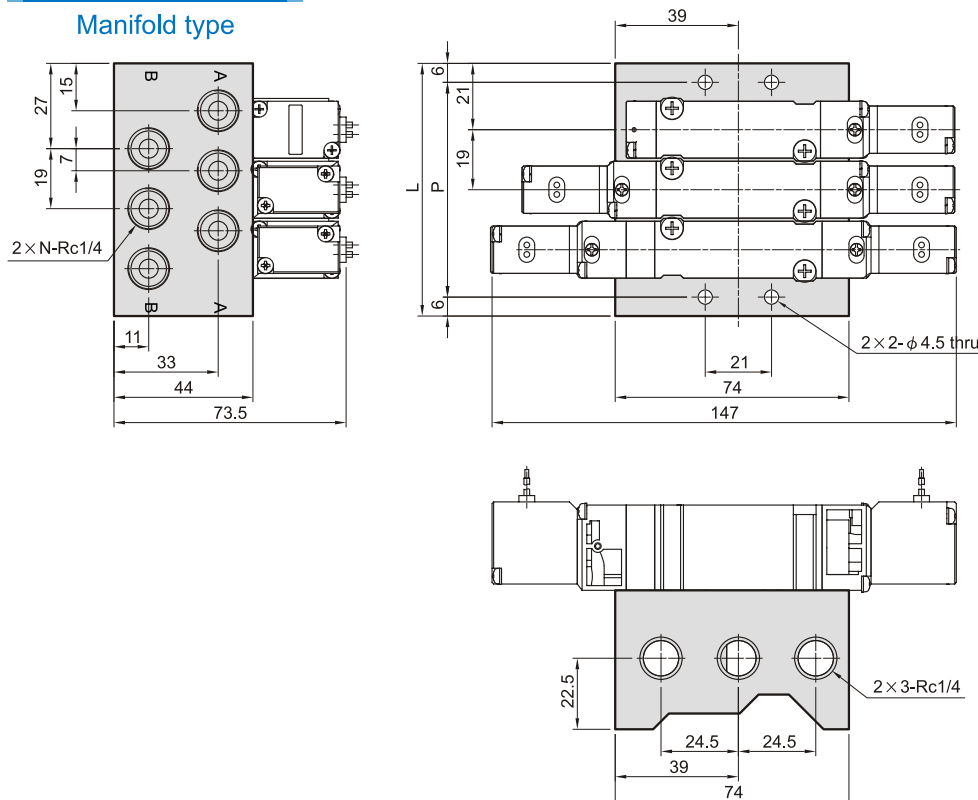
Body ported type



No. of stations	P	L
2	46	66
3	65	85
4	84	104
5	103	123
6	122	142
7	141	161
8	160	180
9	179	199
10	198	218

MVSB-188M-5M*

Manifold type



No. of stations (N)	P	L
2	49	61
3	68	80
4	87	99
5	106	118
6	125	137
7	144	156
8	163	175
9	182	194
10	201	213



Mindman