

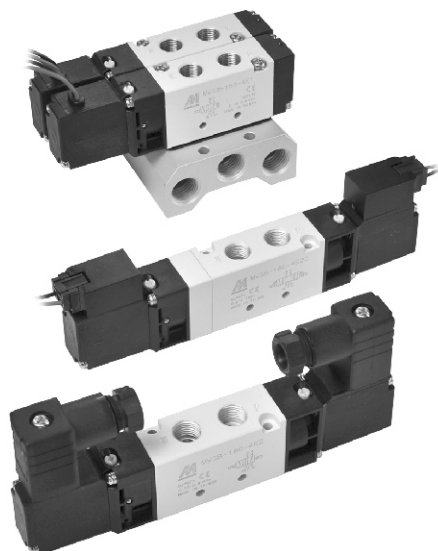
MVSB-180 series

SOLENOID VALVE



mindman

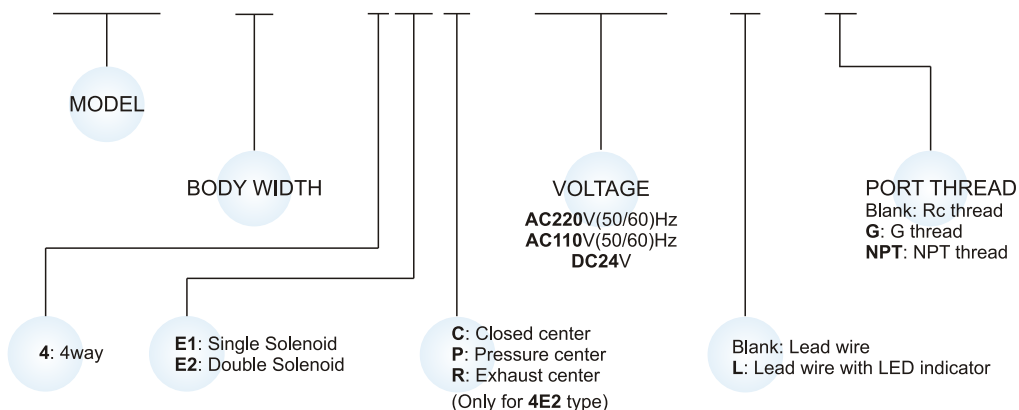
Specification



Model	4E1	4E2	4E2C.P.R
Bore No.	6A		
Port size	Rc1/8		
No. of port	5		
No. of position	2		3
Medium	Air		
Operating pressure range	0.15~0.8 MPa		0.2~0.7 MPa
Proof pressure	1 MPa		
Effective orifice	12 mm ²		9 mm ²
Response time	30 ms		
Ambient temperature	-5~ +50°C (No freezing)		
Voltage	AC110V, 220V (50/60)Hz, DC24V		
Power consumption	AC=2.1/1.8VA, DC=1.6W		
Available voltage range	± 10%		
Insulation class	B class		
Weight	100 g	143 g	155 g

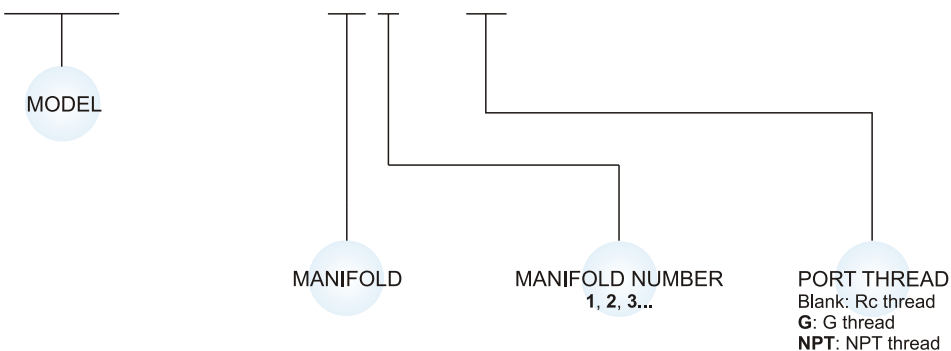
Order example of valve

MVSB – 180 – 4E2C – AC110 – L – G



Order example of manifold

MVSB – 180 – 5B3 – G

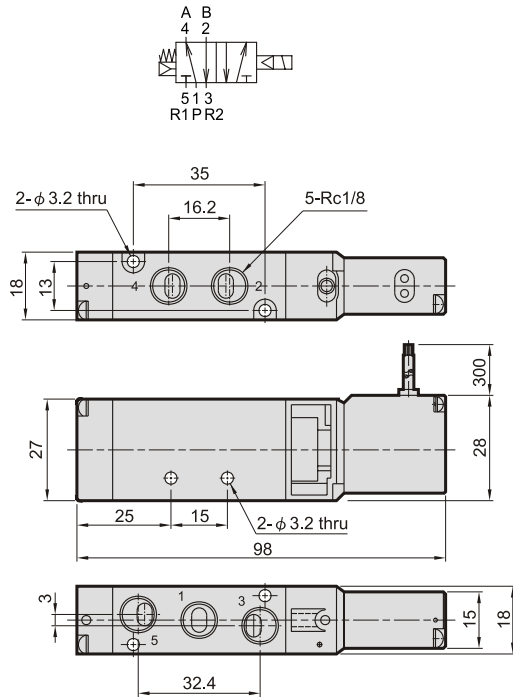


mindman

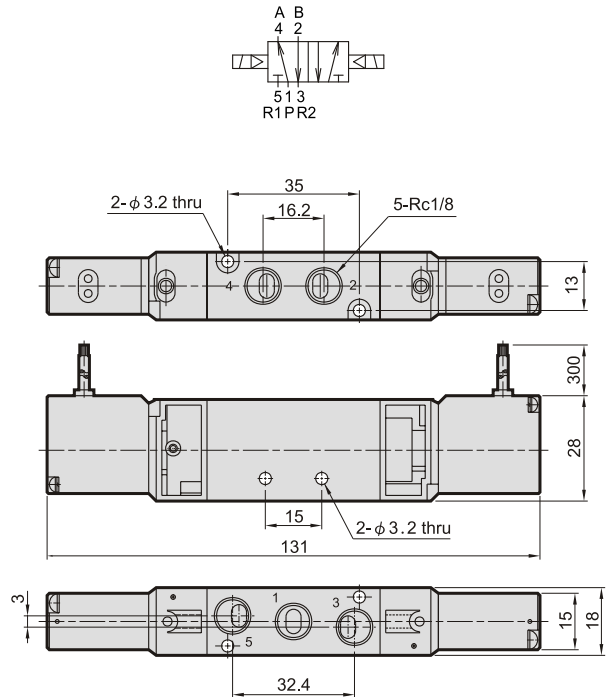
MVSB-180 Dimensions

SOLENOID VALVE

MVSB-180-4E1

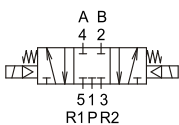


MVSB-180-4E2

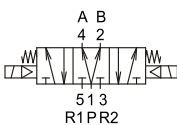


MVSB-180-4E2C.PR

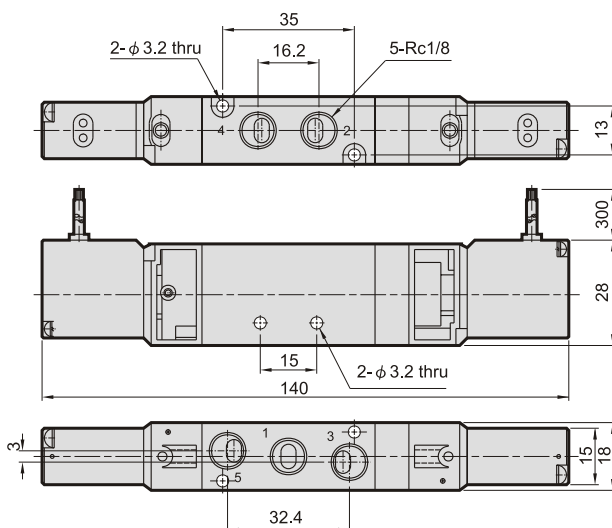
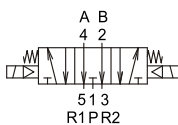
MVSB-180-4E2C



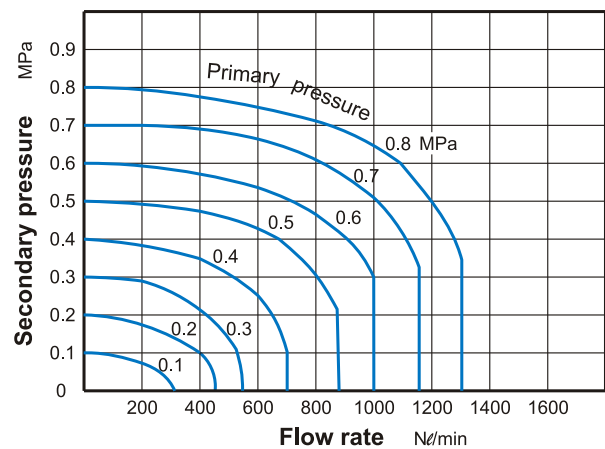
MVSB-180-4E2P



MVSB-180-4E2R



Flow features

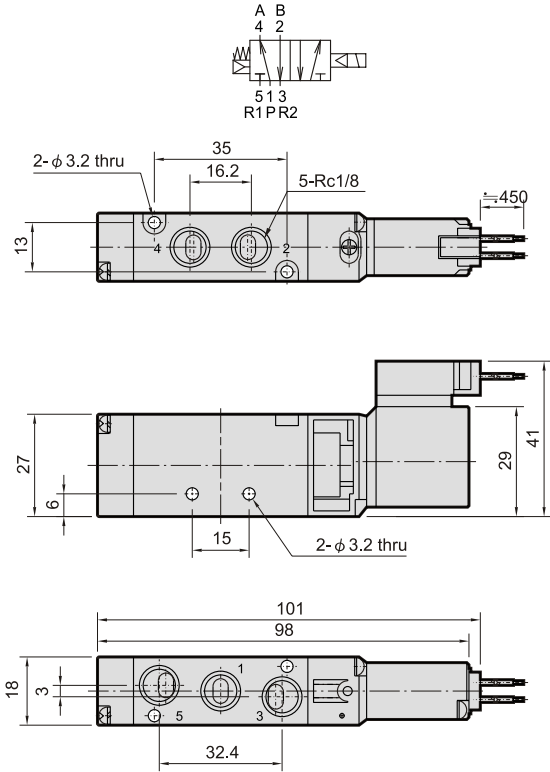


MVSB-180 Dimensions

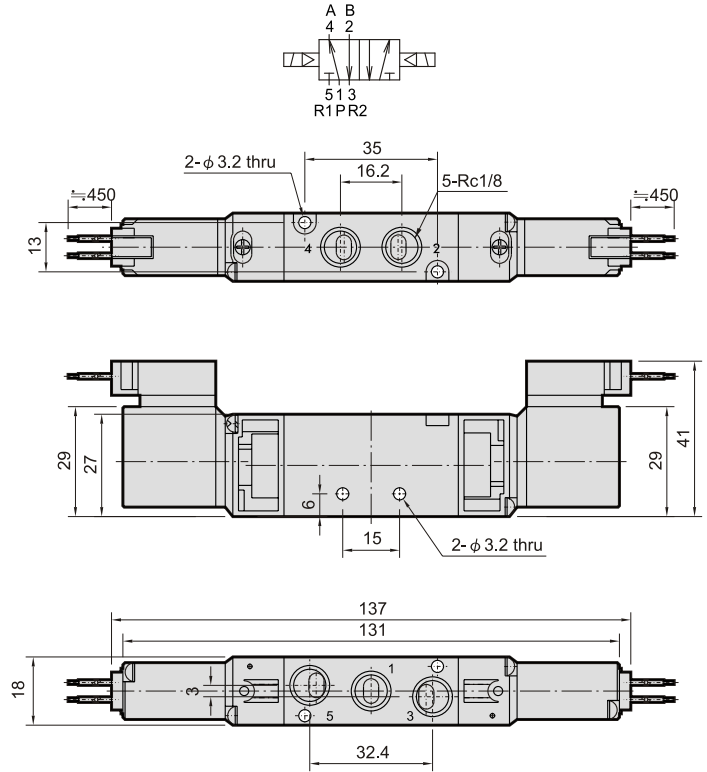
SOLENOID VALVE



MVSB-180-4E1-L

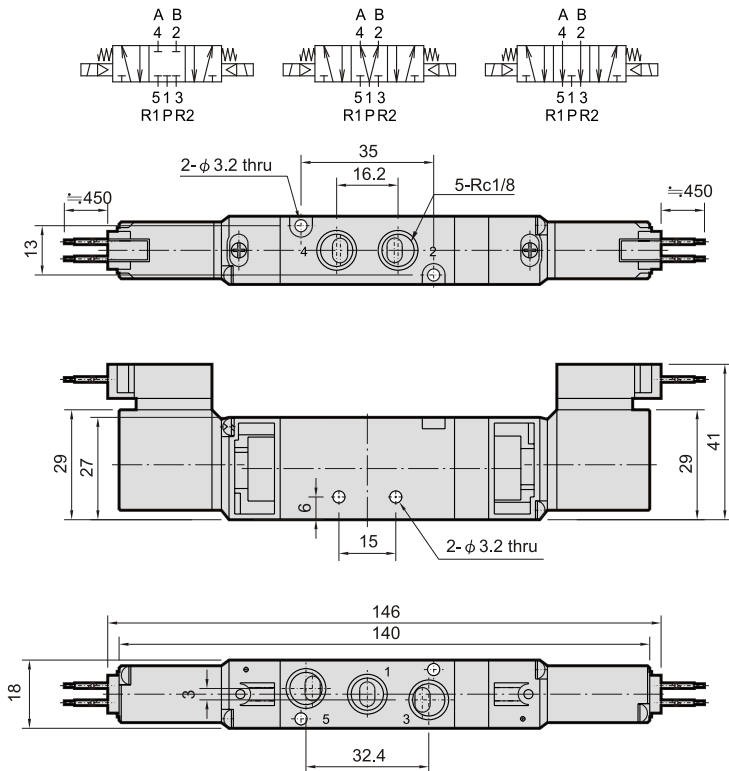


MVSB-180-4E2-L



MVSB-180-4E2C.P.R-L

MVSB-180-4E2C-L MVSB-180-4E2P-L MVSB-180-4E2R-L



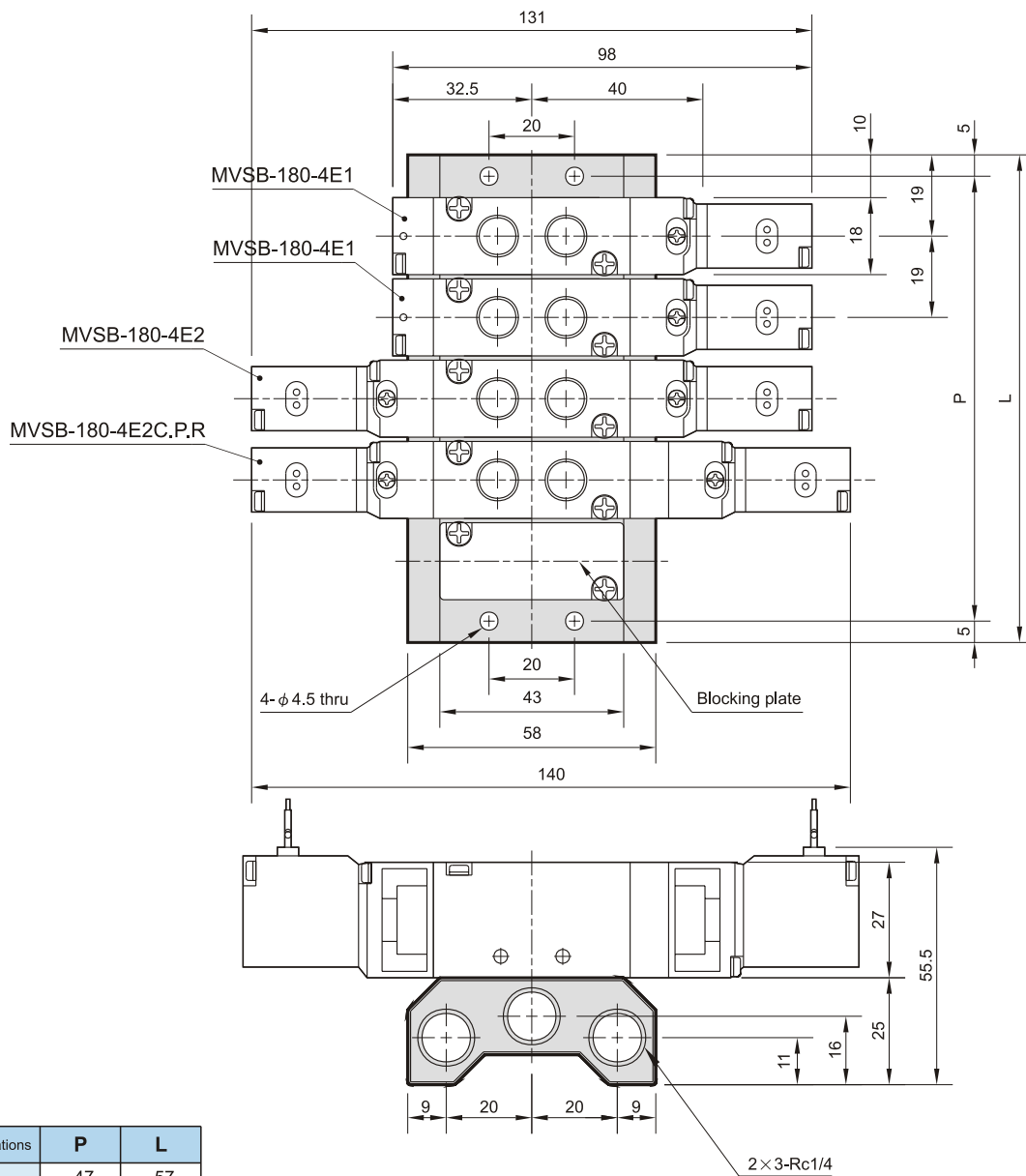
MVSB-180 Manifold

SOLENOID VALVE



Mindman

MVSB-180-5B*



No. of stations	P	L
2	47	57
3	66	76
4	85	95
5	104	114
6	123	133
7	142	152
8	161	171
9	180	190
10	199	209



Mindman