

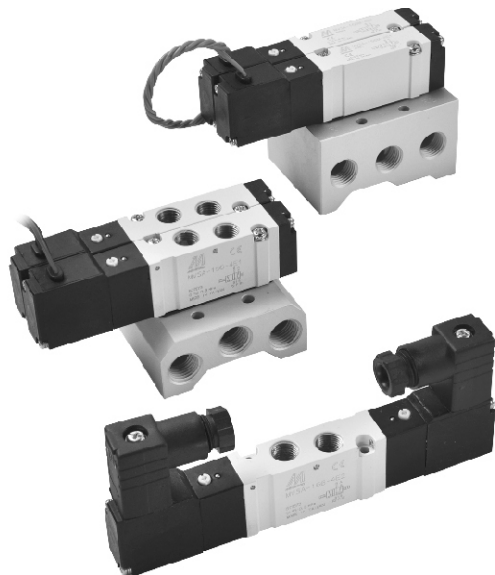
MVSA-156 series

SOLENOID VALVE



mindman

Specification



Model	4E1	4E2	4E2CPR
Bore No.	6A		
Port size	Rc1/8		
No. of port	5		
No. of position	2		3
Medium	Air		
Operating pressure range	0.15~0.8 MPa		0.2~0.7 MPa
Proof pressure	1 MPa		
Effective orifice	10 mm ²		7.5 mm ²
Response time	30 ms		25 ms
Ambient temperature	-5~+50°C (No freezing)		
Voltage	AC110V, AC220V (50/60)Hz, DC24V		
Power consumption	AC=2.1/1.8VA, DC=1.6W		
Available voltage range	±10%		
Insulation class	B class		
Weight	90 g	131 g	138 g

Order example of valve

MVSA – 156M – 4E2C – AC110 – L – G

MODEL

BODY WIDTH

VOLTAGE

AC220V(50/60)Hz
AC110V(50/60)Hz
DC24V

Blank: body ported type
M: manifold type

4: 4way

E1: Single Solenoid
E2: Double Solenoid

C: Closed center
P: Pressure center
R: Exhaust center
(Only for 4E2 type)

Blank: Lead wire
L: Lead wire with LED indicator

PORT THREAD

Blank: Rc thread
G: G thread
NPT: NPT thread
(Only for body ported type)

Order example of manifold

MVSA – 156M – 5M3 – G

MODEL

Blank: body ported type
M: manifold type

MANIFOLD
5B: for body ported type
5M: for manifold type

MANIFOLD NUMBER
1, 2, 3...

PORT THREAD
Blank: Rc thread
G: G thread
NPT: NPT thread



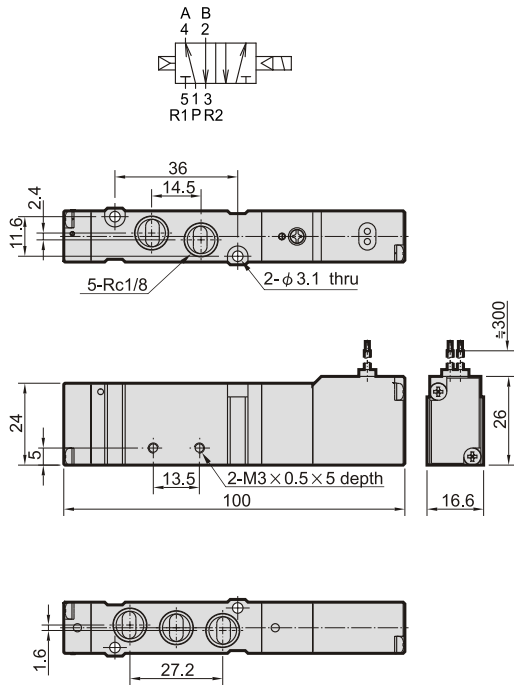
mindman

MVSA-156 Dimensions

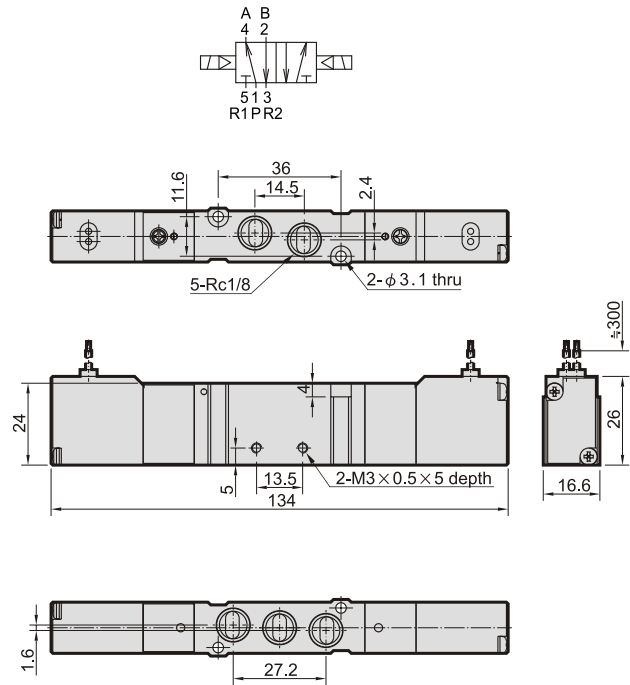
SOLENOID VALVE



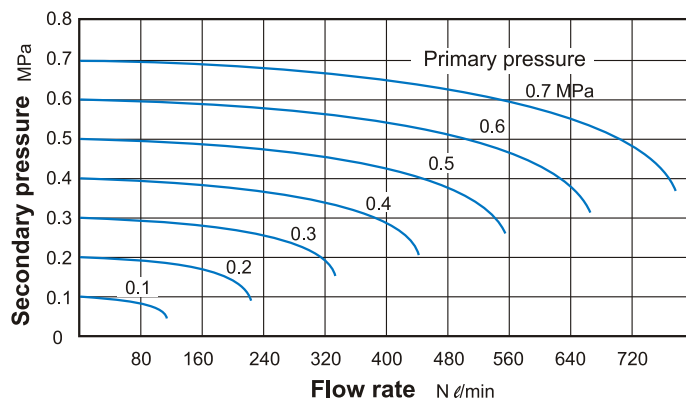
MVSA-156-4E1



MVSA-156-4E2



Flow features

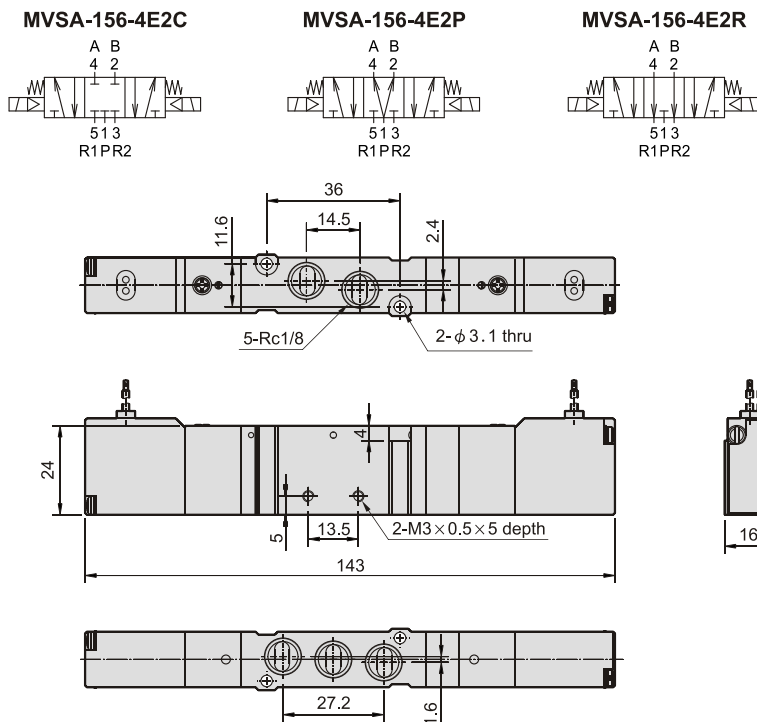


MVSA-156 Dimensions / Manifold

SOLENOID VALVE



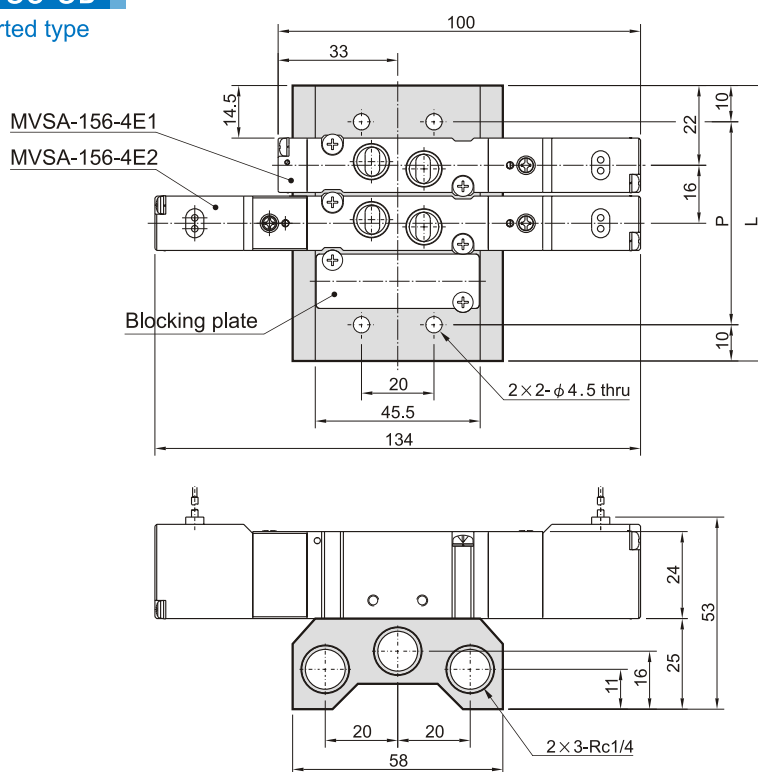
MVSA-156-4E2C.P.R



Manifold of solenoid valve

MVSA-156-5B*

Body ported type



No. of stations	P	L
2	40	60
3	56	76
4	72	92
5	88	108
6	104	124
7	120	144
8	136	156
9	152	172
10	168	188



Mindman

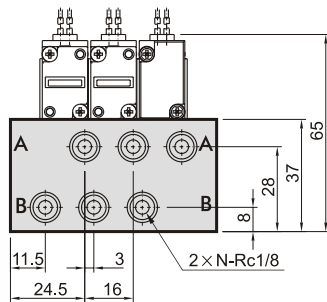
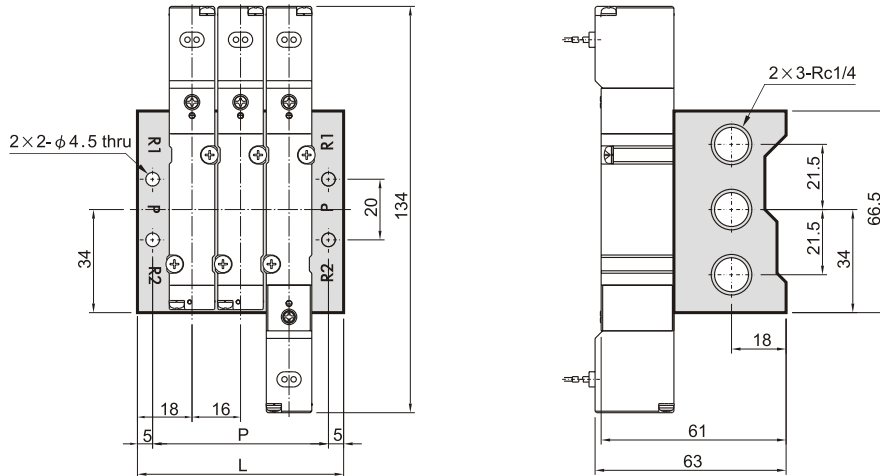
MVSA-156 Manifold / Bracket

SOLENOID VALVE



MVSA-156M-5M*

Manifold type



No. of stations (N)	P	L
2	42	52
3	58	68
4	72	82
5	90	100
6	106	116
7	122	132
8	138	148
9	154	164
10	170	180

Bracket

