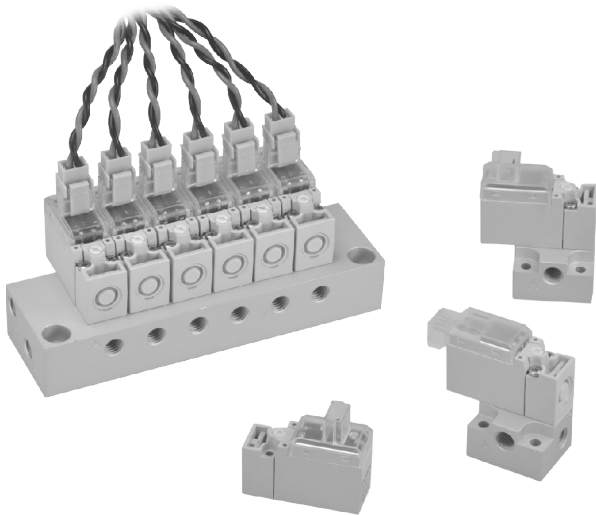


# MVDY-100 series

SOLENOID VALVE (direct operated type)



mindman



## Specification

Model	3E1	3E1-**-A
No. of port	3	
No. of position	2	
Medium	Air	
Operating pressure range	0~0.7 MPa	0~0.9 MPa
Proof pressure	1 MPa	
Effective orifice	P → A1	0.28 mm <sup>2</sup>
	P → A2	0.23 mm <sup>2</sup>
Response time	DC: 4 ms, AC: 20 ms	
Ambient temperature	+5~+50℃	
Voltage	AC110V, AC220V(50/60)Hz, DC6V/12/24V	
Power consumption	AC=1.6 / 2.5VA, DC=1.2 W (LED indicator)	
Available voltage range	±10%	
Insulation class	B class	
Weight	12 g	

## Order example of valve

※ Pressure is 0.5 MPa, at rated voltage.

MVDY - 100 - 3E1 - AC110 - LJ1 - A - M3

MODEL

BODY WIDTH

VOLTAGE

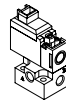
AC220V(50/60)Hz  
AC110V(50/60)Hz  
DC24V  
DC12V  
DC6V

WIRE LENGTH

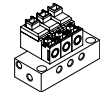
Blank : 500mm  
1 : 1000mm  
2 : 2000mm  
3 : 3000mm

SYMBOL OF ASSEMBLY

B1 :  
Assembly (Base+Valve)



M□ : 2,3.. manifold number  
Assembly (Manifold+Valve)



3: 3way

E1: Single Solenoid

PLUG TYPE

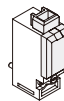
LJ : Plug on side (※1)



LR : Plug on side (※2)



SR : Plug on top (※2)



## EX:

Valve

MVDY-100-3E1-AC220-LJ1-A × 1 pc.

Assembly (5 valve + 5 manifold)

MVDY-100-3E1-AC220-LR2-M5 × 1 set

## Order example of base

MVDY - 100 - 3B1

MODEL

BASE

(※1): Connector with flying leads JPC type.

(※2): Connector with flying leads RMH type. (Original)

## Order example of wire

MVDY - 100 - WA2J2

MODEL

VOLTAGE

A2: AC220V(50/60)Hz  
A1: AC110V(50/60)Hz  
D: DC24V/12V/6V

WIRE

J: JPC type

R: RMH type

WIRE LENGTH

Blank : 500mm  
1 : 1000mm  
2 : 2000mm  
3 : 3000mm

## Order example of manifold

MVDY - 100 - 3M2

MODEL

MANIFOLD

MANIFOLD NUMBER

2, 3, 4.....



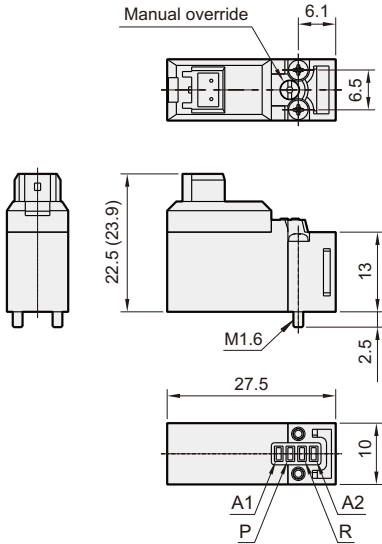
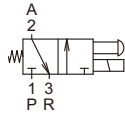
mindman

# MVDY-100 Dimensions / Manifold

SOLENOID VALVE (direct operated type)

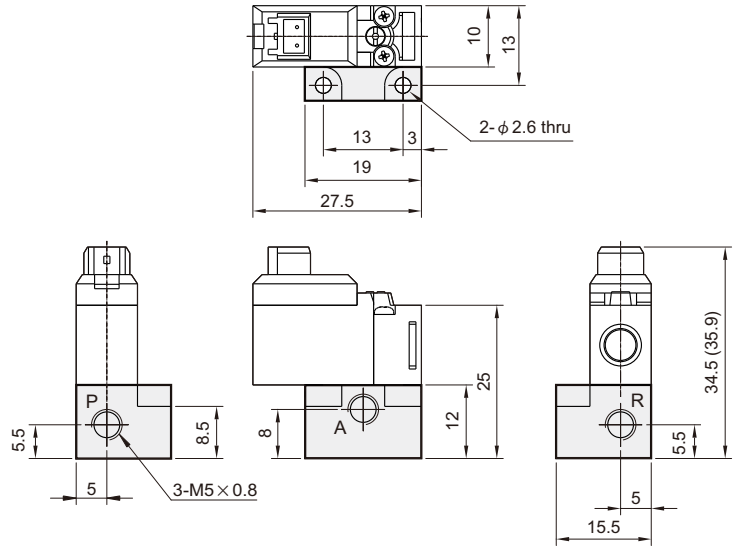


## MVDY-100-3E1



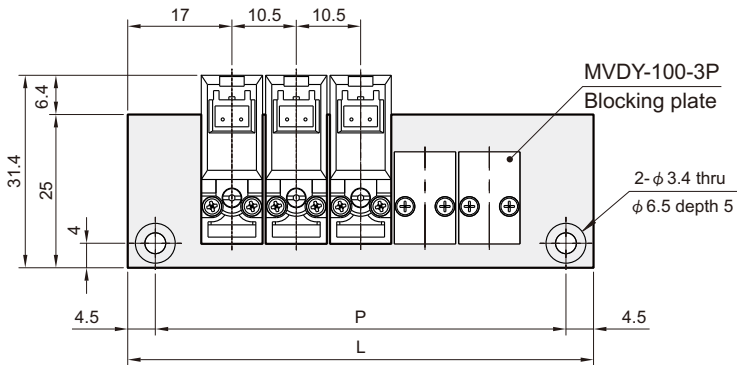
## MVDY-100-3B1

Base

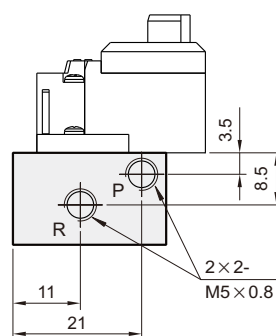
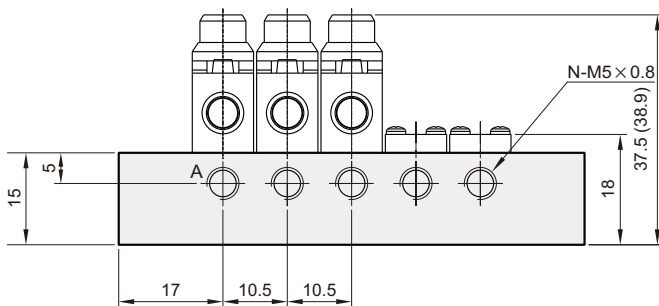
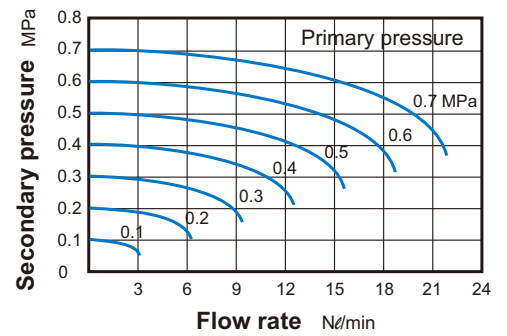


## Manifold of solenoid valve

### MVDY-100-3M\*



## Flow features



No. of stations (N)	P	L
2	35.5	44.5
3	46	55
4	56.5	65.5
5	67	76
6	77.5	86.5
7	88	97
8	98.5	107.5
9	109	118
10	119.5	128.5

( ): Dimension for LJ plug type.

