

T-Slot Style Product Overview

Features:

These clamps provide rapid height adjustment and positive holding. They are designed with a single-unit clamp head and base. The DE-STA-CO Carver T-Slot Clamp is one single assembly – there are no loose parts. When setting up, the safety lock on the back is released and the clamp lifted on the base to the desired height. When the clamp screw is turned, 100% of the force is transmitted to the work-piece. Backing off the clamp adjusting screw and releasing the safety lock and lifting the clamp head makes for rapid job changeover.


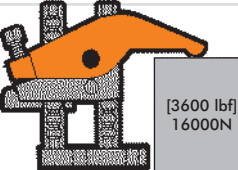
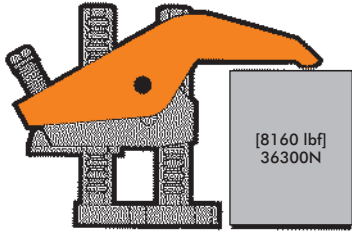
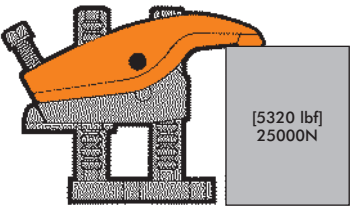


If the clamping height is more than [29.5in] 750mm the connector shown below will be delivered as standard equipment.

MODEL T813400



T-Slot Style Technical Information, Holding Capacities

Holding Capacity	Throat Depth		Working Height C		Model	Max. Torque	Accessories standard equipment	Weight [lbs.] kg
	a	b	min.	max.				
 [5100 lbf] 22700N	[0.55] 14	[1.30] 33	[0.50] 12	[4.00] 100	T400-4	[36 ft. lbs.] 49Nm	(2) M12 T-nuts for 14mm T-slot T2060-05	[5.1] 2,3
			[0.50] 12	[6.00] 150	T400-6			[5.5] 2,5
			[2.00] 50	[8.00] 200	T400-8			[5.7] 2,6
 [3600 lbf] 16000N	[2.24] 57	[2.87] 73	[0.50] 12	[4.00] 100	T600-4	[30 ft. lbs.] 40Nm	(2) M12 T-nuts for 14mm T-slot T2060-05	[5.9] 2,7
			[0.50] 12	[6.00] 150	T600-6			[6.4] 2,9
			[2.00] 50	[8.00] 200	T600-8			[6.6] 3,0
 [8160 lbf] 36300N	[1.73] 44	[2.68] 68	0	[6.00] 150	T402-6	[85 ft. lbs.] 115Nm	(2) M16 T-nuts for 18mm T-slot T2060-07	[14.00] 6.4
			0	[12.00] 300	T402-12			[17.70] 8.0
			[6.00] 150	[18.00] 450	T402-18			[19.40] 8.8
			[12.00] 300	[24.00] 600	ⓈT402-24			[20.00] 9.0
 [5320 lbf] 25000N	[3.90] 99	[4.84] 123	[6.00] 150	[6.00] 150	T602-6	[70 ft. lbs.] 95Nm	(2) M16 T-nuts for 18mm T-slot T2060-07	[16.00] 7.3
			[12.00] 300	[12.00] 300	T602-12			[19.80] 9.0
			[18.00] 450	[18.00] 450	ⓈT602-18			[21.60] 9.8

Ⓢ Available upon request

T-Slot Style Product Overview

These clamps provide rapid height adjustment and positive holding. They are designed with a single-unit clamp head and base, providing up to [8000 lbf] 35.6kn. of positive holding capacity for workpieces up to 60" high. The design applies 100% of the screw force directly onto the workpiece far more than any strap clamp arrangement. Additionally, there is no searching for the correct riser block height. The DE-STA-CO Carver T-Slot Clamp is one single assembly – there are no loose parts.

When setting up, the safety lock on the back is released and the clamp lifted on the base to the desired height. When the clamp screw is turned, 100% of the force is transmitted to the workpiece. Backing off the clamp adjusting screw and releasing the safety lock and lifting the clamp head makes for rapid job changeover.

Safety – No loose parts. Clamp and base are one unit. Higher clamping force holds parts more securely and safely.

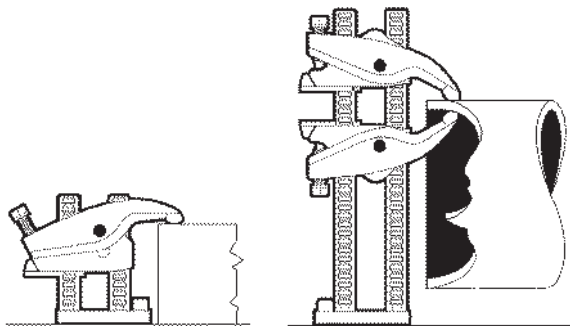
Speed – The clamp head adjusts much faster than an operator can select proper size spacers and bolts. Benefits include:

- Cuts set-up time by as much as 80%
- Reduces machine downtime
- Offers more rapid loading and unloading

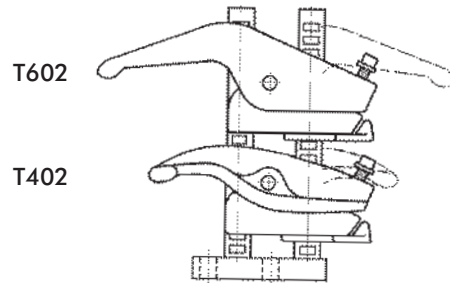
Economy – Tool tip technology and digital control have reduced machining time. Why lose these advantages on long set-up times? T-Slot clamps can reduce set-up time by as much as 80%. Benefit: Money saved.

Ease of Operation – Loosen adjusting screw and release safety catch to adjust height instantly.

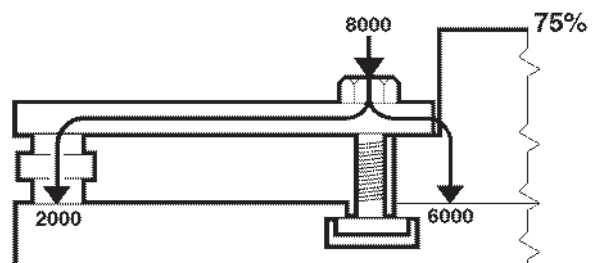
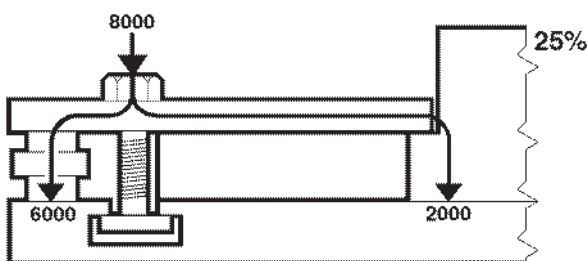
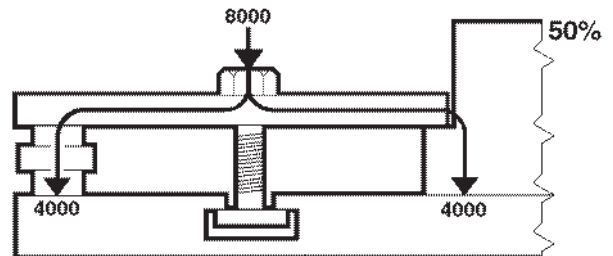
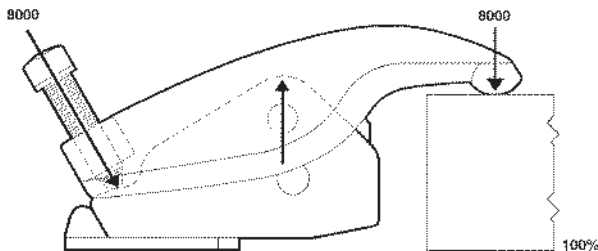
Versatility - Selection of bases gives standard clamping heights from 0 to 600mm[0 to 24in.]. Additional heights available up to 1500mm[60in.] are available upon request. Two or more heads can be used on one base to position and hold down as well as support – ideal for fine height adjustment during set-up. Also eliminates riser blocks.



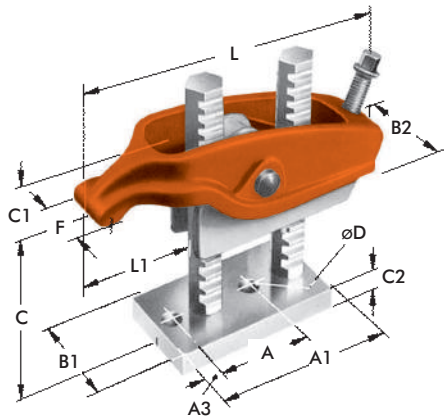
Ideal for use as manual die clamps. Eliminates the need for step blocks or riser blocks.



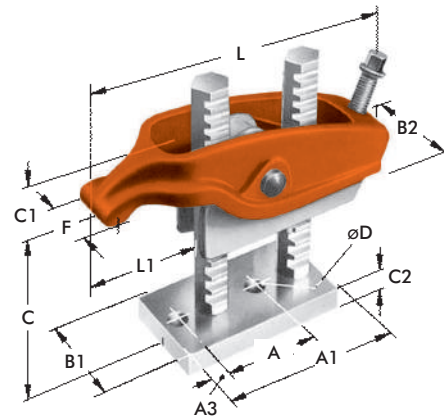
The T402 and T602 can be reversed on their bases to give added reach.



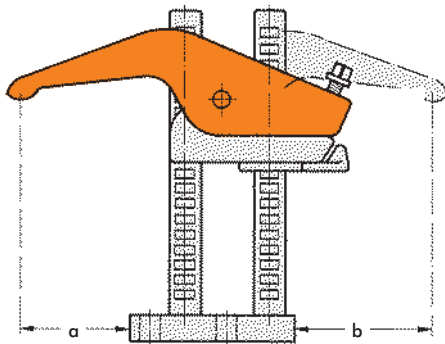
T-Slot Style Standard Clamp Dimensions



Model T400-..



Model T402-..



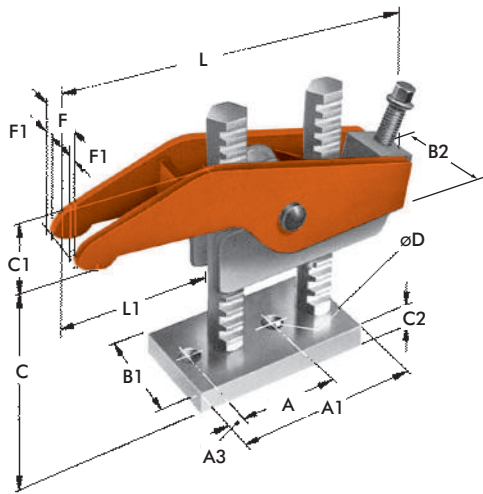
If the T402 is reversed on its base, the measurement of the throat depth will change.

	T400-..	T402-..
a	[0.55] 14	[1.73] 44
b	[1.30] 33	[2.68] 68

Model	A	A1	A3	B1	B2	C		C1	C2	ØD	F	L	L1	Consisting of		Clamping Screw Size Ø
						min	max							1x	1x	
T400-4						[1.00] 25	[4.00] 100							400-4-1		
T400-6	[2.12] 54	[3.78] 96,2	[0.41] 10.5	[2.00] 51	[2.00] 51	[1.00] 25	[6.00] 150	[1.09] 28	[0.63] 16	[0.53] 13,5	[1.02] 26	[6.30] 160	[1.44] 36,5	400-2	400-6-1	12mm
T400-8						[2.50] 62	[8.00] 200							400-8-1		
T402-6						0	[6.00] 150							402-6-1		
T402-12						0	[1200] 300							402-12-1		
T402-18	[2.81] 71	[5.51] 140	[0.59] 15	[3.00] 76	[2.68] 68	[6.00] 150	[18.00] 450	[1.77] 45	[0.75] 19	[0.66] 16,3	[1.50] 38	[9.65] 245	[2.56] 65	402-2	402-18-1	20mm
① T402-24						[12.00] 300	[24.00] 600							402-24-1		

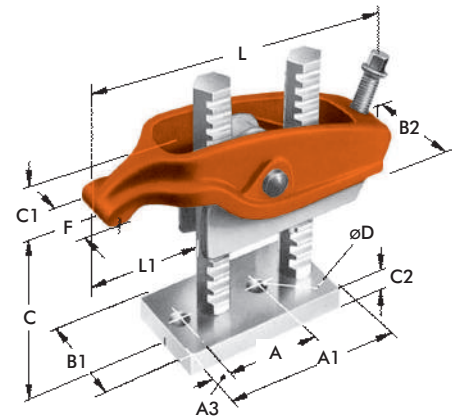
① Available upon request

T-Slot Style Standard Clamp Dimensions

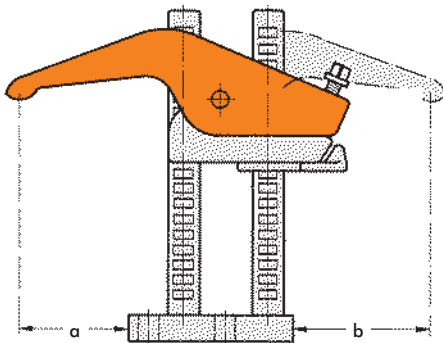


Model

T600-..



Model T602-..



If the T602 is reversed on its base, the measurement of the throat depth will change.

	T600-..	T602-..
a	[2.24] 57	[3.90] 99
b	[2.87] 73	[4.84] 123

Model	A	A1	A3	B1	B2	C		C1	C2	ØD	F	F1	L	L1	Consisting of		Clamping Screw Size Ø	
						min	max								1x	1x		
T600-4						[0.47] 12	[4.00] 100									600-4-1		
T600-6	[2.12] 54	[3.78] 96,2	[0.41] 10,5	[2.00] 51	[1.97] 50	[0.47] 12	[6.00] 150	[1.50] 38	[0.63] 16	[0.53] 13,5	[1.97] 50	[0.41] 10,5	[7.88] 200	[3.35] 85	600-2	600-6-1	12mm	
T600-8						[1.97] 50	[8.00] 200									600-8-1		
T602-6						0	[6.00] 150										402-6-1	
T602-12	[2.81] 71	[5.51] 140	[0.59] 15	[3.11] 79	[3.11] 79	0	[1200] 300	[3.19] 81	[0.75] 19	[0.66] 16,3	[1.50] 38	-	[12.40] 315	[5.31] 135	602-2	402-12-1	20mm	
ⓘ T602-18						[6.00] 150	[18.00] 450										402-18-1	

ⓘ Available upon request