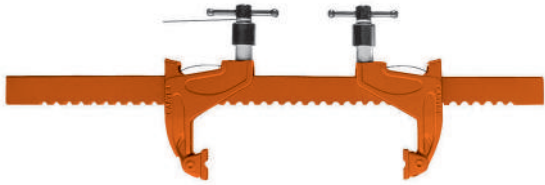


Bar-Style Product Overview

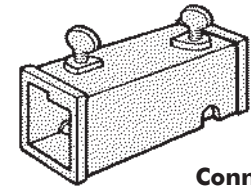
Features:

These rugged clamps, made from high-tensile, heat-treated steel, are designed for all types of applications requiring large holding capacities from 1270 lbf to 6000 lbf (5650N to 27000N). The clamps are highly versatile. For example, jaws can be reversed to provide spreading action, or several jaws can be used on a single bar both for fixturing and positive component location and clamping.

Available models include T321 Standard-Duty Deep Throat, T285 Medium-Duty Deep Throat, T186 Standard-Duty, T290 Medium-Duty and T257 Heavy-Duty. In addition, standard and medium-duty connectors are available to couple like bars together for increased clamping reaches.



Model	For Bar Clamps Model	Weight [lbs.] kg
186-13	T186-... and T321-...	[1.54] 0,7
290-13	T285-... and T290-...	[2.87] 1,3



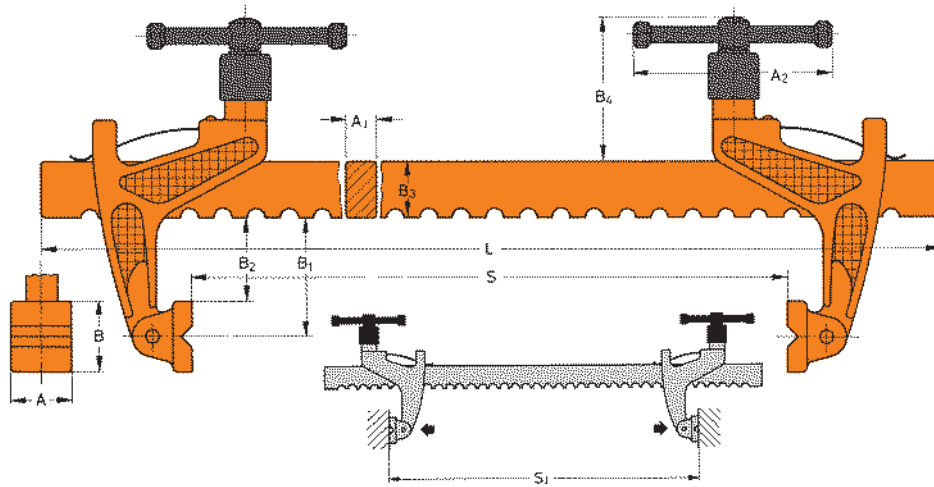
Connector

Bar-Style Technical Information, Holding Capacities

Holding Capacity	Throat Depth	Width Opening S		Width Opening S1		Model	Clamping Screw Ø	Weight [lbs.] kg	Consisting of:	
		min	max	min	max				1 x	2 x
 [2500 lbf] 11300N	[2.38] 60	[8.50] 215	[24] 600	[2.95] 75	[26.8] 680	T186-24	M12	[7.50] 3,4	186-24-1	186-2
			[36] 900		[39] 990	T186-36		[9.50] 4,4		
 [1270 lbf] 5650N	[4.7] 120	[5.50] 140	[24] 600	[3.15] 80	[27.2] 690	T321-24	M12	[7.70] 3,5	186-24-1	321-2
			[36] 900		[39.4] 1000	T321-36		[9.00] 4,5		
			[60] 1500		[63] 1600	T321-60		[13.00] 5,9		
 [4000 lbf] 18000N	[3.5] 90	[10.00] 250	[36] 900	[4.72] 120	[36.9] 1005	T290-36	M16	[20.50] 10,5	290-36-1	290-2
			[48] 1200		[63.8] 1620	ⓈT290-60		[28.50] 14,0		
			[60] 1500		[87.4] 2220	ⓈT290-84		[36.50] 18,0		
 [2000 lbf] 9000N	[8.0] 200	[6.00] 150	[36] 900	[4.72] 120	[42.7] 1085	T285-36	M16	[24.50] 10,5	290-36-1	285-2
			[48] 1200		[66.93] 700	ⓈT285-60		[32.50] 15,0		
			[60] 1500		[90.6] 2300	ⓈT285-84		[40.50] 19,0		
 [6000 lbf] 27000N	[4.5] 115	[12.00] 305	[84] 2100	[5.90] 150	[86.6] 2200	ⓈT257-84	M20	[61.00] 27,2	257-84-1	257-2

Ⓢ Available upon request

Bar-Style Technical Information, Holding Capacities, Standard Clamp Dimensions



Model	[inch] mm								
	A	A1	A2	B	B2	B3	B4	L	
T186-24	[0.98]	[0.47]	[2.99]	[1.26]	[1.73]	[1.18]	[2.99]	[28]	
T186-36	25	12	76	32	44	30	76	[40.2]	
T321-24								710	
T321-36	[0.98]	[0.47]	[2.99]	[1.26]	[4.09]	[1.18]	[2.99]	[40.2]	
T321-60	25	12	76	32	104	30	76	1020	
T290-36								[64]	
Ⓢ T290-60	[1.50]	[0.79]	[5.51]	[2.00]	[2.56]	[1.57]	[4.13]	[42.1]	
Ⓢ T290-84	38	20	140	51	65	40	105	1070	
T285-36								[66.5]	
Ⓢ T285-60	[1.50]	[0.79]	[5.51]	[2.00]	[7.09]	[1.57]	[4.13]	[66.5]	
Ⓢ T285-84	38	20	140	51	180	40	105	1690	
								[90.2]	
Ⓢ T257-84	[2.00]	[0.87]	[7.36]	[2.50]	[3.27]	[2.05]	[5.00]	[91.9]	
	51	22	187	63,5	83	52	127	2335	

Ⓢ Available upon request